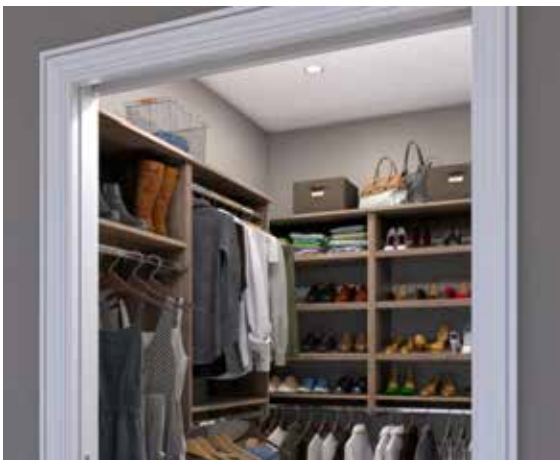




CabinetTrac CLOSET CABINETS SYSTEM

SPEC BOOK
566329



PRODUCT FINISHES

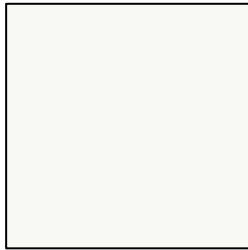
PRODUCT FINISHES

Choose from 4 popular finishes. Each finish costs the same, so you don't have to pay extra for your favorite!



ESPRESSO

Our darkest finish gives your closet a contemporary look



WHITE

A flat white finish with Shaker doors and drawers create a timeless look



SALT OAK

Gray tones and reclaimed wood look are on trend



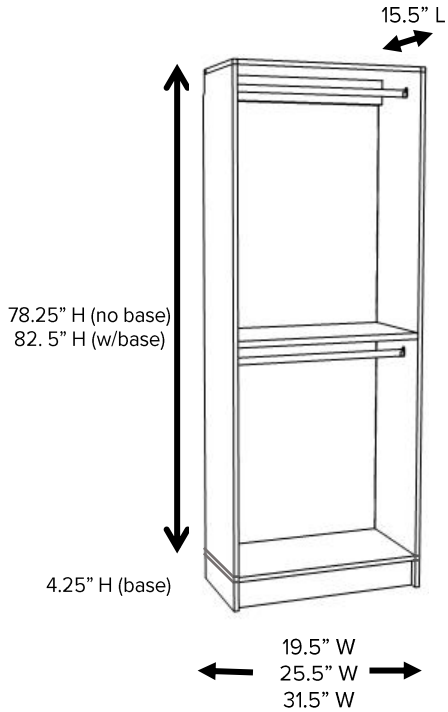
CHERRY**

Rich grain and medium tone stain is a classic look updated for today

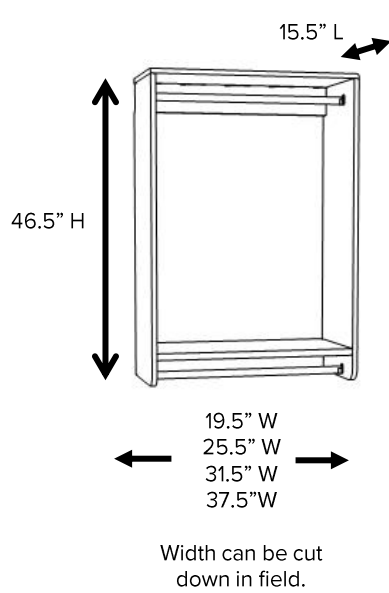
**Please note that Cherry is a discontinued finish with limited SKU's available.

ITEM DIMENSIONS

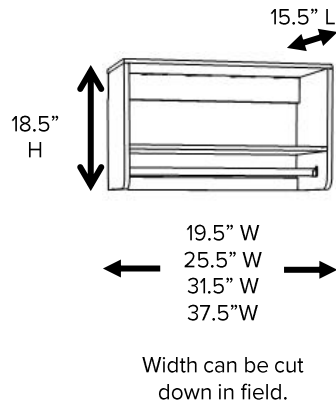
FULL CABINETS



HALF HANG CABINETS



QUARTER HANG CABINETS



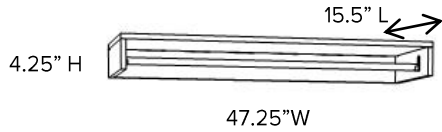
- Bases come standard on cabinets with solid backs.
- Bases optional on wall hung no back full cabinets.

Cabinet Item descriptions are interior widths. Add 1.5" for exterior width.

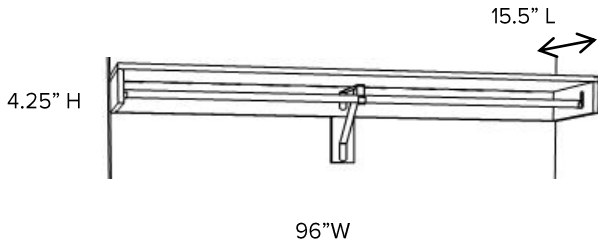
Ex. 24" Shelf Cabinet is 25.5" W

ITEM DIMENSIONS CONTINUED

SHELF & ROD KITS



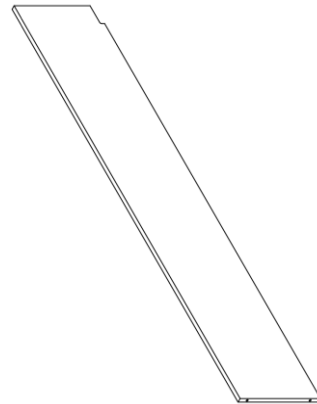
Width can be cut down in field.



Width can be cut down in field.

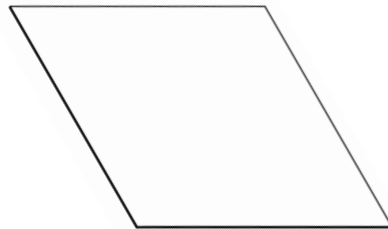
UPRIGHT

79.25" H X 14.5" L x .75" W



WALLBOARD

48" H X .19" L x .48" W



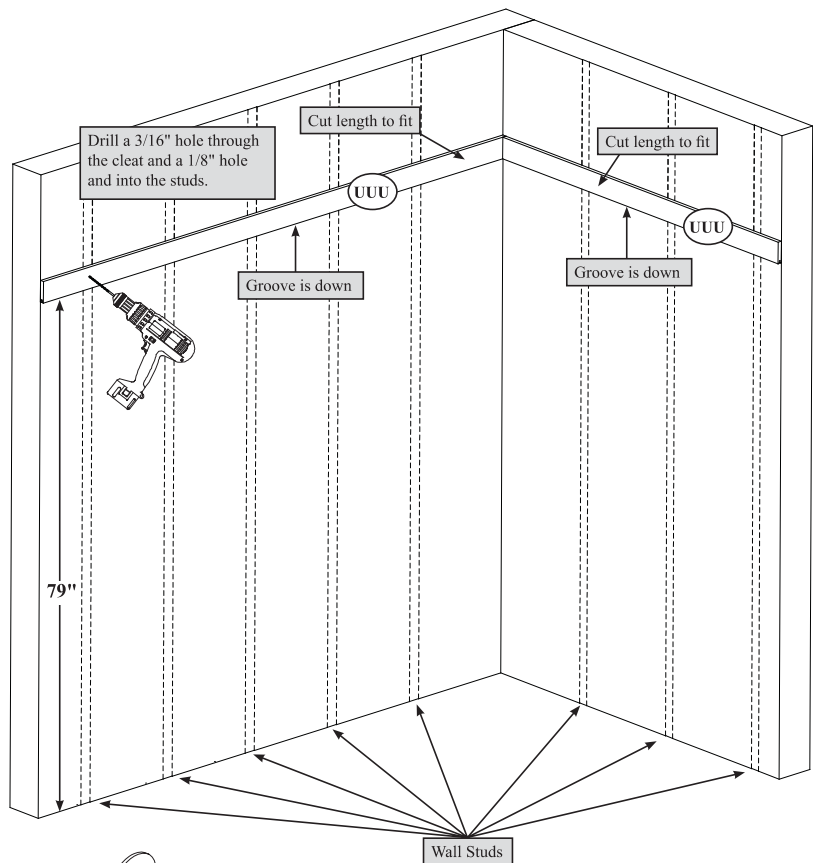
INSTALLATION- WALL CLEAT

- Install Wall Cleats anywhere cabinets or shelving will be installed. Secure to wood wall studs. If metal studs use drywall anchors every 16".

- Install at 79" to bottom of the cleat for Floor Mounted Full cabinets.



- To clear baseboards on Wall Hung installation install wall cleat at a minimum of 75" above baseboard to bottom of the cleat.

- Hang cabinets and secure through top shelf into upper wall cleat. Secure cabinets fixed lower cleat to the studs as well.


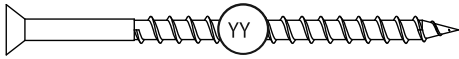


INSTALLATION- CABINETS

HANG CABINET Follow numbered sequence

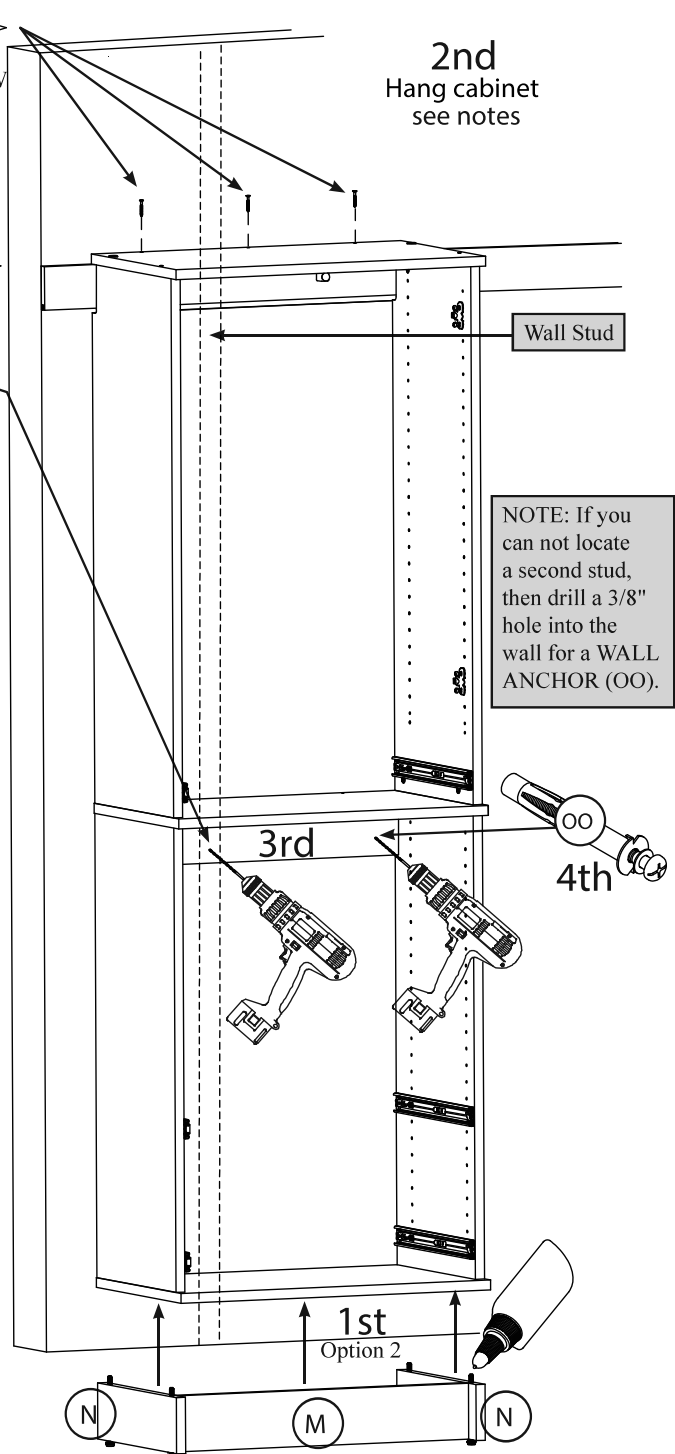
 
BLACK 1-1/2" FLAT HEAD SCREW
(3 used in this step)

2nd
Hang cabinet
see notes

 
BLACK 2-3/4" FLAT HEAD SCREW
(Must use at least 1 into a stud)

- Assemble Cabinet according to individual cabinet instructions.
- Attach toe kick base to cabinet if specified.
- Hang Cabinet on wall cleat.
- Secure lower built in cleat to stud or anchor with drywall anchor.

NOTE: If you can not locate a second stud, then drill a 3/8" hole into the wall for a WALL ANCHOR (OO).



DOOR & DRAWER CABINET

30" & 24" Door and
Drawer Cabinet



18" Drawer
Cabinet



| Description | Includes | Espresso Item # | White Item # | Salt Oak Item # | List Price | Cherry Item # | List Price |
|---|---------------------------|-----------------|---------------|-----------------|-------------------|---------------|-----------------|
| 18" Drawer Cabinet (82.56" H x 19.5" W x 15.5" D) | | 427812 | 427813 | 427814 | \$658.27 | 416618 | \$404.25 |
| Includes: | 18" Cabinet Chassis | 416640 | 419658 | 418765 | | 416576 | |
| | 18" Shelf Kit x 2 | 416641 | 419659 | 418766 | | 416577 | |
| | 18" Small Drawer | 425673 | 425693 | 425684 | | 416619 | |
| | 18" Large Drawer x 2 | 425674 | 425694 | 425685 | | 416620 | |
| 24" Drawer Cabinet (82.56" H x 25.5" W x 15.5" D) | | 427815 | 427816 | 427817 | \$896.12 | 416625 | \$600.60 |
| Includes: | 24" Cabinet Chassis | 416647 | 419666 | 418733 | | 416623 | |
| | 24" Shelf Kit x 2 | 416687 | 419667 | 418774 | | 416624 | |
| | 24" Small Drawer | 425675 | 425696 | 425687 | | 416626 | |
| | 24" Large Drawer x 2 | 425676 | 425697 | 425688 | | 416627 | |
| | 24" Door Kit | 416651 | 419671 | 418779 | | 416628 | |
| 30" Drawer Cabinet (82.56" H x 31.5" W x 15.5" D) | | 427818 | 427819 | 427820 | \$1,058.11 | 416633 | \$681.45 |
| Includes: | 30" Cabinet Chassis | 416654 | 419674 | 418782 | | 416631 | |
| | 30" Shelf Kit x 2 | 416655 | 419675 | 418783 | | 416632 | |
| | 30" Small Drawer | 425677 | 425698 | 425689 | | 416634 | |
| | 30" Large Drawer x 2 | 425678 | 425700 | 425691 | | 416635 | |
| | 30" Door Kit | 416659 | 419681 | 418789 | | 416636 | |
| Optional - Fill lower half with drawers by adding: | | | | | | | |
| Extra Drawer Short 18" | 4.5" H x 18.75" W x 15" D | 425679 | 425692 | 425683 | \$95.55 | 416886 | \$65.10 |
| Extra Drawer Tall 18" | 10" H x 18.75" W x 15" D | 425674 | 425694 | 425685 | \$130.25 | 416620 | \$70.35 |
| Extra Drawer Short 24" | 4.5" H x 24.75" W x 15" D | 425680 | 425695 | 425686 | \$105.84 | 416887 | \$72.45 |
| Extra Drawer Tall 24" | 10" H x 24.75" W x 15" D | 425676 | 425697 | 425688 | \$139.66 | 416627 | \$77.70 |
| Extra Drawer Short 30" | 4.5" H x 30.75" W x 15" D | 425681 | 425699 | 425689 | \$113.19 | 416888 | \$74.55 |
| Extra Drawer Tall 30" | 10" H x 30.75" W x 15" D | 425678 | 425700 | 425691 | \$169.94 | 416635 | \$79.80 |

**Please note that soft close drawer slides are standard on the Espresso, White, Salt Oak finishes. Cherry has standard ball bearing slides.

SHELF CABINET



| Description | Includes | Espresso Item # | White Item # | Salt Oak Item # | List Price |
|---|---------------------------|-----------------|---------------|-----------------|-----------------|
| 18" Shelf Cabinet (82.56" H x 19.5" W x 15.5" D) | | 416639 | 419657 | 418764 | \$285.25 |
| Includes: | 18" Cabinet Chassis | 416640 | 419658 | 418765 | |
| | 18" Shelf Kit x 2 | 416641 | 419659 | 418766 | |
| 24" Shelf Cabinet (82.56" H x 25.5" W x 15.5" D) | | 416646 | 419665 | 418772 | \$332.79 |
| Includes: | 24" Cabinet Chassis | 416647 | 419666 | 418773 | |
| | 24" Shelf Kit x 2 | 416687 | 419667 | 418774 | |
| 30" Shelf Cabinet (82.56" H x 31.5" W x 15.5" D) | | 416653 | 419673 | 418781 | \$421.07 |
| Includes: | 30" Cabinet Chassis | 416654 | 419674 | 418782 | |
| | 30" Shelf Kit x 2 | 416655 | 419675 | 418783 | |
| Optional - Fill lower half with drawers by adding: | | | | | |
| Extra Drawer Short 18" | 4.5" H x 18.75" W x 15" D | 425679 | 425692 | 425683 | \$95.55 |
| Extra Drawer Tall 18" | 10" H x 18.75" W x 15" D | 425674 | 425694 | 425685 | \$130.25 |
| Extra Drawer Short 24" | 4.5" H x 24.75" W x 15" D | 425680 | 425695 | 425686 | \$105.84 |
| Extra Drawer Tall 24" | 10" H x 24.75" W x 15" D | 425676 | 425697 | 425688 | \$139.66 |
| Extra Drawer Short 30" | 4.5" H x 30.75" W x 15" D | 425681 | 425699 | 425690 | \$115.54 |
| Extra Drawer Tall 30" | 10" H x 30.75" W x 15" D | 425678 | 425700 | 425691 | \$169.94 |

| Cherry Item # | List Price |
|---------------|-----------------|
| 416575 | \$242.55 |
| 416576 | |
| 416577 | |
| 416622 | \$282.98 |
| 416623 | |
| 416624 | |
| 416630 | \$358.05 |
| 416631 | |
| 416632 | |
| 416886 | \$65.10 |
| 416620 | \$70.35 |
| 416887 | \$72.45 |
| 416627 | \$77.70 |
| 416888 | \$74.55 |
| 416635 | \$79.80 |

DOUBLE HANG CABINET



Lorem ipsum

| Description | Includes | Espresso Item # | White Item # | Salt Oak Item # | List Price |
|---|---------------------------|-----------------|---------------|-----------------|-----------------|
| 18" Double Hang Cabinet (82.56" H x 19.5" W x 15.5" D) | | 416645 | 419664 | 418771 | \$226.91 |
| Includes: | 18" Cabinet Chassis | 416640 | 419658 | 418765 | |
| | 18" Rod Kit | 416781 | 416781 | 416781 | |
| 24" Double Hang Cabinet (82.56" H x 25.5" W x 15.5" D) | | 416652 | 419672 | 418780 | \$259.32 |
| Includes: | 24" Cabinet Chassis | 416647 | 419666 | 418773 | |
| | 24" Rod Kit | 416782 | 416782 | 416782 | |
| 30" Double Hang Cabinet (82.56" H x 31.5" W x 15.5" D) | | 416661 | 419682 | 418790 | \$317.67 |
| Includes: | 30" Cabinet Chassis | 416654 | 419674 | 418782 | |
| | 30" Rod Kit | 416783 | 416783 | 416783 | |
| Optional - Extra Shelves | | | | | |
| Extra Shelves (Qty 3) 18" | .625" H x 18 W x 14.5" D | 416641 | 419659 | 418766 | \$49.40 |
| Extra Shelves (Qty 3) 24" | .625" H x 24 W x 14.5" D | 416687 | 419667 | 418774 | \$55.57 |
| Extra Shelves (Qty 3) 30" | .625" H x 30 W x 14.5" D | 416655 | 419675 | 418783 | \$67.92 |
| Optional - Fill lower half with drawers by adding: | | | | | |
| Extra Drawer Short 18" | 4.5" H x 18.75" W x 15" D | 425679 | 425692 | 425683 | \$95.55 |
| Extra Drawer Tall 18" | 10" H x 18.75" W x 15" D | 425674 | 425694 | 425685 | \$130.25 |
| Extra Drawer Short 24" | 4.5" H x 24.75" W x 15" D | 425680 | 425695 | 425686 | \$105.84 |
| Extra Drawer Tall 24" | 10" H x 24.75" W x 15" D | 425676 | 425697 | 425688 | \$139.66 |
| Extra Drawer Short 30" | 4.5" H x 30.75" W x 15" D | 425681 | 425699 | 425690 | \$115.54 |
| Extra Drawer Tall 30" | 10" H x 30.75" W x 15" D | 425678 | 425700 | 425691 | \$169.94 |

| Cherry Item # | List Price |
|---------------|-----------------|
| 416621 | \$192.94 |
| 416576 | |
| 416784 | |
| 416629 | \$220.50 |
| 416623 | |
| 416785 | |
| 416637 | \$270.12 |
| 416631 | |
| 416786 | |
| 416577 | \$42.00 |
| 416624 | \$47.25 |
| 416632 | \$57.75 |
| 416886 | \$65.10 |
| 416620 | \$70.35 |
| 416887 | \$72.45 |
| 416627 | \$77.70 |
| 416888 | \$65.10 |
| 416635 | \$79.80 |

SINGLE HANG CABINET (No Back)



Standard- Wall Hung Installation.
Convert to Floor Standing with Base Kit

| Description | Includes | Espresso Item # | White Item # | Salt Oak Item # | List Price |
|--|----------------------------------|-----------------|---------------|-----------------|-----------------|
| 18" Single Hang Cabinet (78.5" H x 19.5" W x 15.5" D) No Back | | 426861 | 427296 | 426890 | \$231.09 |
| Includes: | 18" Full Upright Cabinet Chassis | 425622 | 425625 | 425634 | |
| | 18" Shelf Kit | 416641 | 419659 | 418766 | |
| | 18" Rod Kit | 416781 | 416781 | 416781 | |
| 24" Single Hang Cabinet (78.5" H x 25.5" W x 15.5" D) No Back | | 426866 | 426880 | 426895 | \$249.79 |
| Includes: | 24" Full Upright Cabinet Chassis | 425623 | 425632 | 425635 | |
| | 24" Shelf Kit | 416687 | 419667 | 418774 | |
| | 24" Rod Kit | 416782 | 416782 | 416782 | |
| 30" Single Hang Cabinet (78.5" H x 31.5" W x 15.5" D) No Back | | 426871 | 426885 | 426900 | \$279.95 |
| includes: | 30" Full Upright Cabinet Chassis | 425624 | 425633 | 425636 | |
| | 30" Shelf Kit | 416655 | 419675 | 418766 | |
| | 30" Rod Kit | 416783 | 416783 | 416783 | |

| Optional- Base Kits (if converting to floor standing) | Dimensions | Espresso Item # | White Item # | Salt Oak Item # | List Price |
|---|---------------------------|-----------------|--------------|-----------------|----------------|
| 18" Base kit (for no back cabinets) | 4.25" H x 19.5" W x 15" D | 425650 | 425654 | 425659 | \$48.44 |
| 24" Base kit (for no back cabinets) | 4.25" H x 25.5" W x 15" D | 425651 | 425656 | 425660 | \$48.44 |
| 30" Base kit (for no back cabinets) | 4.25" H x 31.5" W x 15" D | 425652 | 425657 | 425661 | \$48.44 |

DOUBLE HANG CABINET (No Back)



Standard- Wall Hung Installation.
Convert to Floor Standing with Base Kit

| Description | Includes | Espresso Item # | White Item # | Salt Oak Item # | List Price |
|--|----------------------------------|-----------------|---------------|-----------------|-----------------|
| 18" Double Hang Cabinet (78.5" H x 19.5" W x 15.5" D) No Back | | 426862 | 426876 | 426891 | \$181.70 |
| Includes: | 18" Full Upright Cabinet Chassis | 425622 | 425625 | 425634 | |
| | 18" Rod Kit | 416781 | 416781 | 416781 | |
| 24" Double Hang Cabinet (78.5" H x 25.5" W x 15.5" D) No Back | | 426867 | 426881 | 426896 | \$194.22 |
| Includes: | 24" Full Upright Cabinet Chassis | 425623 | 425632 | 425635 | |
| | 24" Rod Kit | 416782 | 416782 | 416782 | |
| 30" Double Hang Cabinet (78.5" H x 31.5" W x 15.5" D) No Back | | 426872 | 426886 | 426901 | \$212.04 |
| Includes: | 30" Full Upright Cabinet Chassis | 425624 | 425633 | 425636 | |
| | 30" Rod Kit | 416783 | 416783 | 416783 | |

| Optional- Base Kits (if converting to floor standing) | Dimensions | Espresso Item # | White Item # | Salt Oak Item # | List Price |
|---|---------------------------|-----------------|--------------|-----------------|----------------|
| 18" Base kit (for no back cabinets) | 4.25" H x 19.5" W x 15" D | 425650 | 425654 | 425659 | \$48.44 |
| 24" Base kit (for no back cabinets) | 4.25" H x 25.5" W x 15" D | 425651 | 425656 | 425660 | \$48.44 |
| 30" Base kit (for no back cabinets) | 4.25" H x 31.5" W x 15" D | 425652 | 425657 | 425661 | \$48.44 |

SHELF CABINET (No Back)



Standard- Wall Hung Installation.
Convert to Floor Standing with Base Kit

| Description | Includes | Espresso Item # | White Item # | Salt Oak Item # | List Price |
|--|----------------------------------|-----------------|---------------|-----------------|-----------------|
| 18" Shelf Cabinet (78.5" H x 19.5" W x 15.5" D) No Back | | 426863 | 426877 | 426892 | \$274.30 |
| Includes: | 18" Full Upright Cabinet Chassis | 425622 | 425625 | 425634 | |
| | 18" Shelf Kit x 2 | 416641 | 419659 | 418766 | |
| 24" Shelf Cabinet (78.5" H x 25.5" W x 15.5" D) No Back | | 426868 | 426882 | 426897 | \$283.13 |
| Includes: | 24" Full Upright Cabinet Chassis | 425623 | 425632 | 425635 | |
| | 24" Shelf Kit x 2 | 416687 | 419667 | 418774 | |
| 30" Shelf Cabinet (78.5" H x 31.5" W x 15.5" D) No Back | | 426873 | 426887 | 426902 | \$321.94 |
| Includes: | 30" Full Upright Cabinet Chassis | 425624 | 425633 | 425636 | |
| | 30" Shelf Kit x 2 | 416655 | 419675 | 418783 | |

| Optional- Base Kits (if converting to floor standing) | Dimensions | Espresso Item # | White Item # | Salt Oak Item # | List Price |
|---|---------------------------|-----------------|--------------|-----------------|----------------|
| 18" Base kit (for no back cabinets) | 4.25" H x 19.5" W x 15" D | 425650 | 425654 | 425659 | \$48.44 |
| 24" Base kit (for no back cabinets) | 4.25" H x 25.5" W x 15" D | 425651 | 425656 | 425660 | \$48.44 |
| 30" Base kit (for no back cabinets) | 4.25" H x 31.5" W x 15" D | 425652 | 425657 | 425661 | \$48.44 |

CABINET 3 SC Drawers, 6 Adjustable shelves (No Back)



Standard- Wall Hung Installation.
Convert to Floor Standing with Base Kit

| Description | Includes | Espresso Item # | White Item # | Salt Oak Item # | List Price |
|---|----------------------------------|-----------------|---------------|-----------------|-----------------|
| 18" Cabinet 3 SC Drawers, 6 Adjustable Shelves (78.5" H x 19.5" W x 15.5" D) No Back | | 427723 | 427724 | 427725 | \$652.68 |
| Includes: | 18" Full Upright Cabinet Chassis | 425622 | 425625 | 425634 | |
| | 18" Shelf Kit x 2 | 416641 | 419659 | 418766 | |
| | 18" Large Drawer x 3 | 425674 | 425694 | 425685 | |
| 24" Cabinet 3 SC Drawers, 6 Adjustable Shelves (78.5" H x 25.5" W x 15.5" D) No Back | | 427729 | 427730 | 427731 | \$702.08 |
| | 24" Full Upright Cabinet Chassis | 425623 | 425632 | 425635 | |
| | 24" Shelf Kit x 2 | 416687 | 419667 | 418774 | |
| | 24" Large Drawer x 3 | 425676 | 425697 | 425688 | |
| 30" Cabinet 3 SC Drawers, 6 Adjustable Shelves (78.5" H x 31.5" W x 15.5" D) No Back | | 427735 | 427736 | 427737 | \$831.73 |
| | 30" Full Upright Cabinet Chassis | 425624 | 425633 | 425636 | |
| | 30" Shelf Kit x 2 | 416655 | 419675 | 418783 | |
| | 30" Large Drawer x 3 | 425678 | 425700 | 425691 | |

| Optional- Base Kits (if converting to floor standing) | Dimensions | Espresso Item # | White Item # | Salt Oak Item # | List Price |
|---|---------------------------|-----------------|--------------|-----------------|----------------|
| 18" Base kit (for no back cabinets) | 4.25" H x 19.5" W x 15" D | 425650 | 425654 | 425659 | \$48.44 |
| 24" Base kit (for no back cabinets) | 4.25" H x 25.5" W x 15" D | 425651 | 425656 | 425660 | \$48.44 |
| 30" Base kit (for no back cabinets) | 4.25" H x 31.5" W x 15" D | 425652 | 425657 | 425661 | \$48.44 |

DOUBLE HANG HALF CABINET & SHELF AND HALF HANG CABINET



Lorem ipsu

| Description | Includes | Espresso Item # | White Item # | Salt Oak Item # | List Price |
|--|---------------------------|-----------------|---------------|-----------------|-----------------|
| 18" Double Hang Half Cabinet | 46.5" x 19.5" W x 15.5" D | 418813 | 419709 | 418817 | \$163.63 |
| 24" Double Hang Half Cabinet | 46.5" x 25.5" W x 15.5" D | 418814 | 419706 | 418818 | \$171.64 |
| 30" Double Hang Half Cabinet | 46.5" x 31.5" W x 15.5" D | 418840 | 419718 | 418842 | \$179.05 |
| 36" Double Hang Half Cabinet | 46.5" x 37.5" W x 15.5" D | 417774 | 419697 | 418857 | \$182.28 |
| 18" Shelf and Half Hang Cabinet (46.5" H x 19.5" W x 15.5" D) | | 418825 | 419711 | 418829 | \$203.74 |
| Includes: | 18" Half Cabinet | 418813 | 419709 | 418817 | |
| | 18" Shelf Pack | 416641 | 419659 | 418766 | |
| 24" Shelf and Half Hang Cabinet (46.5" H x 25.5" W x 15.5" D) | | 418826 | 419707 | 418830 | \$216.10 |
| Includes: | 24" Cabinet Chassis | 418814 | 419706 | 418818 | |
| | 24" Shelf Pack | 416687 | 419667 | 418774 | |
| 30" Shelf and Half Hang Cabinet (46.5" H x 31.5" W x 15.5" D) | | 418046 | 419705 | 418844 | \$240.79 |
| Includes: | 30" Cabinet Chassis | 418840 | 419718 | 418842 | |
| | 30" Shelf Pack | 416655 | 419675 | 418783 | |
| Optional - Extra Shelves | | | | | |
| Extra Shelves (Qty 3) 18" | .625" H x 18 W x 14.5" D | 416641 | 419659 | 418766 | \$49.40 |
| Extra Shelves (Qty 3) 24" | .625" H x 24 W x 14.5" D | 416687 | 419667 | 418774 | \$55.57 |
| Extra Shelves (Qty 3) 30" | .625" H x 30 W x 14.5" D | 416655 | 419675 | 418783 | \$67.92 |

| Cherry Item # | List Price |
|---------------|-----------------|
| 418811 | \$139.13 |
| 418812 | \$145.95 |
| 418839 | \$152.25 |
| 417773 | \$155.00 |
| 418823 | \$173.25 |
| 418811 | |
| 416577 | |
| 418824 | \$183.75 |
| 418812 | |
| 416624 | |
| 418045 | \$204.75 |
| 418839 | |
| 416632 | |
| 416577 | \$42.00 |
| 416624 | \$47.25 |
| 416632 | \$57.75 |

SINGLE HANG QUARTER CABINET



| Description | Dimensions | Espresso Item # | White Item # | Salt Oak Item # | List Price | Cherry Item # | List Price |
|---------------------------------|---------------------------|-----------------|--------------|-----------------|-----------------|---------------|-----------------|
| 18" Single Hang Quarter Cabinet | 18.5" x 19.5" W x 15.5" D | 419843 | 419716 | 419850 | \$111.14 | 419846 | \$94.50 |
| 24" Single Hang Quarter Cabinet | 18.5" x 25.5" W x 15.5" D | 419111 | 419715 | 419113 | \$135.84 | 419112 | \$115.50 |
| 30" Single Hang Quarter Cabinet | 18.5" x 31.5" W x 15.5" D | 419844 | 419714 | 419851 | \$141.12 | 419847 | \$120.00 |
| 36" Single Hang Quarter Cabinet | 18.5" x 37.5" W x 15.5" D | 419845 | 419713 | 419852 | \$148.18 | 419848 | \$126.00 |

SHELF & ROD KIT (47.5" & 96")



47.25" Single Hang Shelf & Rod

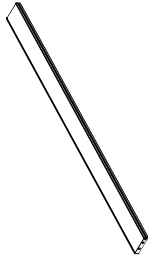


96" Single Hang Shelf & Rod

Includes Shelf, Side Cleats, Back Cleats, Bracket (for 96") and associated hardware.

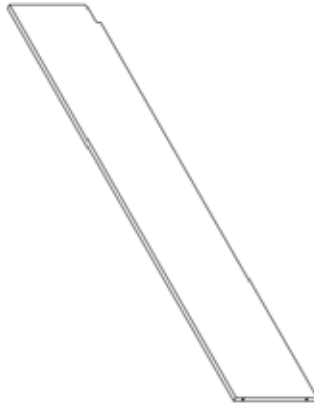
| Description | Dimensions | Espresso Item # White Item # Salt Oak Item # List Price | | | Cherry Item # List Price | | |
|---------------------------------|-----------------------------|---|--------|--------|--------------------------|--------|-----------------|
| | | | | | | | |
| 47.25 Single Hang Shelf and Rod | .75" H x 47.25" W x 15.5" D | 416662 | 419683 | 418791 | \$84.68 | 416638 | \$72.00 |
| 96" Single Hang Shelf and Rod | .75" H x 96" W x 15.5" D | 420290 | 420287 | 420289 | \$188.16 | NA | \$160.00 |

WALL CLEAT, UPRIGHT, WALL BOARD

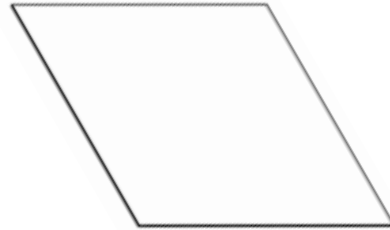


24' Wall Cleat Pack

48" pieces 6 per pack (cam together for longer walls)
(Must be ordered in addition to the closet packs)



Upright



Wall Board 48" x 48"

| Description | Dimensions | Espresso Item # | White Item # | Salt Oak Item # | List Price | Cherry Item # | List Price |
|---|----------------------------|-----------------|--------------|-----------------|-----------------|---------------|-----------------|
| 24' Wall Cleat Pack, 6 x 48" pcs. (must be ordered with each closet) | 3.5" H x 48" W x .75" D | 419896 | 419899 | 419898 | \$82.32 | 419897 | \$70.00 |
| Upright | 81.75 H x .75" W x 14.5" D | 414391 | 419688 | 418804 | \$55.13 | 414094 | \$55.13 |
| Wall Board (48" x 48") x 2 | 48" x 48" | 414399 | 419689 | 418805 | \$115.77 | 414096 | \$115.77 |

ACCESSORIES- HAMPERS



| Description | Dimensions | Espresso Item # | White Item # | Salt Oak Item # | List Price |
|------------------------|-------------------------|-----------------|--------------|-----------------|-----------------|
| 24" W Hamper with Door | 30" H x 25.5" W x 15" D | 429230 | 429244 | 429243 | \$292.60 |
| 30" W Hamper with Door | 30" H x 31.5" W x 15" D | 429245 | 429247 | 429246 | \$371.00 |

In Split Upright cabinets with Full Backs add a 4.5" H Drawer above the hamper to fill the lower half of a cabinet.

Option to put an adjustable shelf above the hamper in any other cabinet style.

ACCESSORIES



| Description | Dimensions | Satin Nickel | List Price |
|-------------------------|-----------------------------|-----------------|-----------------|
| Belt Rack 12" | 12"D | 429218 | \$39.07 |
| Side Mount Tie Rack 12" | 12"D | 430301 (chrome) | \$37.24 |
| Valet Rod 12" | 12"D | 429220 | \$36.63 |
| 24" Closet Basket | 24"W x 14" D x 11" H | 429222 | \$124.53 |
| 30" Closet Basket | 30"W x 14" D x 11" H | 429223 | \$132.15 |
| 24" Jewelry Tray | 21.625"W x 11.625" D x 2" H | 429517 | \$141.12 |
| 30" Jewelry Tray | 27.625"W x 11.625" D x 2" H | 429519 | \$174.05 |

PRODUCT PERFORMANCE

LOAD SPECIFICATIONS

| Product | Anchoring Method | Recommended Load Limits |
|-----------------|-----------------------------|--|
| Closet Cabinets | Wooden studs | 200 lbs per cabinet |
| Closet Shelving | Wooden studs | 20 lbs per foot (4 to 1 safety factor) |
| Closet Shelving | Drywall anchors (every 16") | 20 lbs per foot (4 to 1 safety factor) |

SURFACE PERFORMANCE

WoodTrac Closets are made with silicone coated high definition micropapers laminated over either MDF or Particleboard depending on the part. Performance results below.



Standard Plus/ Wrapping Plus Grade Paper-Engineering Specification

SSN – 1220 r.1

| AESTHETICS | | |
|--|---|---|
| Attribute | Test Method | Specification/Assessment |
| Color (Evaluated using the D65 Lighting) | Visual Compliance to the Color Standard – ASTM D-1729-96 | Pass / Fail |
| Coating Smoothness | Visual Compliance to the Color Standard | Pass / Fail |
| Gloss | Gardner Micro Gloss - @ 60° (MD) – ASTM D-523-99 | ±15% of standard |
| Fidelity/Registration | Visual Compliance to the Color Standard | Pass / Fail |
| PERFORMANCE | | |
| Attribute | Test Method | Specification/Assessment |
| Wear Resistance | For paper, correlated to coating weight | => 3 grams/m ² |
| | For laminates, CPA WR-01-2009 | >250 cycles |
| Scratch Resistance | For paper, correlated to coating weight | => 3 grams/m ² |
| | For laminates, Hoffman-Paint & Coating Testing Methods p.557 ASTM - D 5178 (Breaking Point) | => 100 grams |
| MEK Resistance | ASTM - D 4752 | => 50 Dble Rubs |
| Boiling Water Resistance | Fed. Spec. AA-11-001895B | No Effect after 1 hour |
| Color Stability at Elevated Temperature | For paper, Sauder LP074; Color Stability Standard Method | Delta <.5 or Visual Compliance to Color Standard |
| Water Resistance | ANSI / NEMA LD 3-2005 - High Pressure Decorative Laminates Section 3.4 Distilled Water | No Effect after 4 hours |
| Stain Resistance | ANSI / NEMA LD 3-2005 - High Pressure Decorative Laminates Section 3.4; cooking oil, coffee, tea, mustard, catsup | No Effect after 4 hours |
| Tape Resistance | ASTM – D 3330 or correlated method | 100% Tape Adhesion Failure (Based on 10day tape pull) |
| Coating / Ink Adhesion | ASTM – D 3359 | 0% Failure |
| Coefficient of Friction | ASTM – D 1894 | .125 Kinetic (min) |

PRODUCT COMPOSITION & CARE

PRODUCT COMPOSITION

Our closets are a combination of 3/4" furniture-grade particleboard and MDF (Medium Density Fiberboard) with a high-definition micro paper laminate. The high heat and pressure used in manufacturing result in a very strong, environmentally-friendly product.

Our product is made of over 80% recycled products. All wood panels used at our production facility are "Environmentally Preferred Product" (EPP) by the Composite Panel Association.

PRODUCT CARE

While laminate products are durable, like any wood product they are not water resistant. We recommend quickly wiping any spilled liquid to prevent damage.

To clean we recommend light dusting or wiping the surface with a wax-based polish (Pledge or Endust, for example) and a dry cloth. Spray should be applied to cloth and not directly to furniture. Never use any type of abrasive cleaner or soap detergent on laminate surfaces.

LIMITED LIFETIME WARRANTY

WOODTRAC® CLOSET PRODUCTS LIMITED WARRANTY

WoodTrac® by Sauder provides limited lifetime warranty coverage on WoodTrac® Closet Products (the "Products") to the original first use retail consumer ("Consumer") as set forth in this limited warranty statement. This limited warranty gives you specific legal rights, and you may also have other rights which vary from state to state.

Limited Lifetime Warranty Coverage: WoodTrac® warrants that the Products will be free from defects in material and workmanship under conditions of normal, residential use, for the lifetime of the Products. This limited warranty extends only to the original, first-use retail Consumer, and is not transferable.

Limitations on Warranty Coverage: WoodTrac's® Limited Lifetime Warranty (described above) is the only warranty coverage provided by WoodTrac® for the Products, and is in lieu of all other warranties. Under the laws of certain states, there may be no implied warranties from WoodTrac®, and ALL IMPLIED WARRANTIES, INCLUDING ANY IMPLIED WARRANTY OF MERCHANTABILITY OR FITNESS FOR A PARTICULAR PURPOSE ARE DISCLAIMED AND EXCLUDED TO THE FULLEST EXTENT ALLOWED BY LAW.

Exclusions from Coverage: This limited warranty does not cover defects arising from (1) the improper installation or use of the Products; (2) abuse or neglect; (3) any commercial, rental or non-residential use of the Products (including the installation and use of the Products in a commercial or rental structure); or (4) normal wear and tear.

Exclusive Remedy: WoodTrac® will (at its option) repair or replace any defective Products (or components) at no charge, subject to confirmation of the defect and proof of purchase, as the sole and exclusive remedy under this limited warranty. This limited warranty does not cover costs for installation, returning any defective Products to WoodTrac®, for removal or other labor costs in connection with the repair or replacement of the Products, all of which shall be the responsibility of the Consumer. WoodTrac's® liability under this limited warranty shall not exceed the purchase price of the Products. WoodTrac® shall have NO LIABILITY FOR ANY INCIDENTAL OR CONSEQUENTIAL DAMAGES OF ANY KIND, and all such claims and damages are DISCLAIMED AND EXCLUDED FROM THIS LIMITED WARRANTY. You must notify WoodTrac®, in writing, within 90 days after discovering any defect in order to receive limited warranty coverage.

Some states do not allow limitations on how long an implied warranty lasts, or the exclusion or limitation of incidental or consequential damages, so the above limitations may not apply to you.

To Obtain Warranty Service or Information: For warranty inquiries or claims, contact WoodTrac® at 1-855-854-7465, 502 Middle Street, Archbold, OH (USA) 43502, woodtrac@sauder.com. Return of any defective Product may be required by WoodTrac®, or we may elect to examine the product at its location. If we ask you to ship any Products to us, we will issue you a return authorization number and provide return instructions. For returned Products to qualify for limited warranty coverage, they must be returned in the original or equivalent packaging, in accordance with the shipping instructions you receive from us, and must prominently display the return authorization number on the return package.



List Price \$2145



List Price: \$2447



List Price: \$6180