



SpaceTrac

CLOSET STANDARDS AND BRACKETS SYSTEM

SPEC BOOK
566326



PRODUCT FINISHES

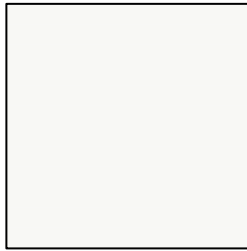
PRODUCT FINISHES

Choose from 3 popular finishes. Each finish costs the same, so you don't have to pay extra for your favorite!



ESPRESSO

Our darkest finish gives your closet a contemporary look



WHITE

A bright, clean look. Always a classic

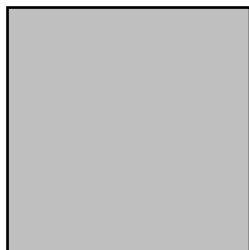


SALT OAK

Gray tones and reclaimed wood look are on trend

HARDWARE FINISHES

Choose from 2 popular finishes. Each finish costs the same, so you don't have to pay extra for your favorite!



NICKEL



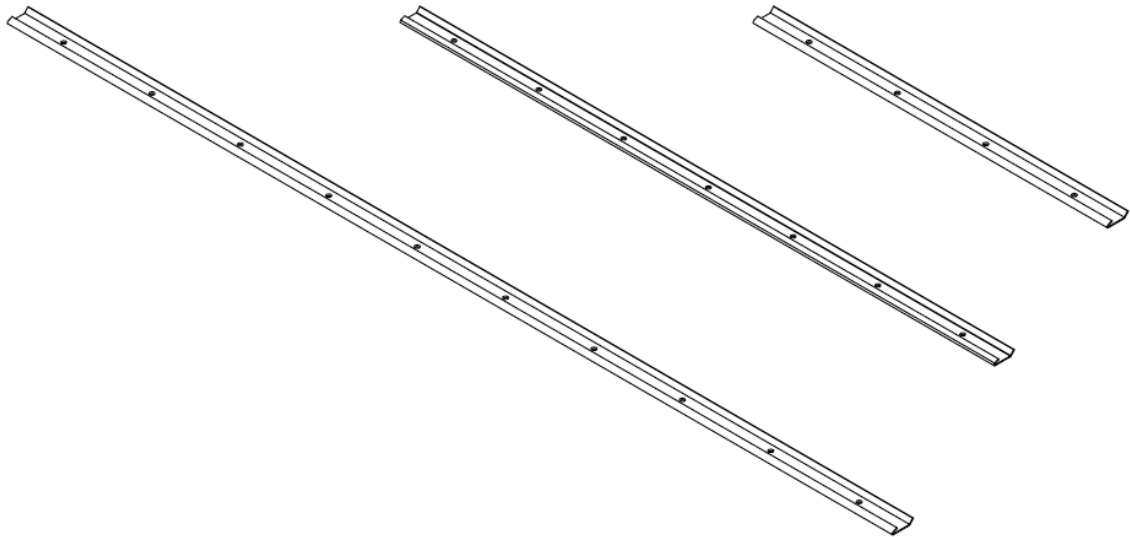
WHITE

HANG TRACK

80" Hang Track

56" Hang Track

32" Hang Track



Description	Dimensions	Pack Qty	White Item #	Nickel item #	Pack List	Each List
Hang Track						
80" Hang Track	80"	10	427077	427080	\$ 308.26	\$ 30.83
56" Hang Track	56"	10	427078	427081	\$ 241.12	\$ 24.11
32" Hang Track	32"	10	427079	427082	\$ 146.50	\$ 14.65
80" Hang Track	80"	1	432996	433058	\$ 40.50	\$ 40.50
56" Hang Track	56"	1	433027	433063	\$ 32.00	\$ 32.00
32" Hang Track	32"	1	433051	433069	\$ 19.50	\$ 19.50

STANDARD UPRIGHTS & BRACKETS

90" Standard

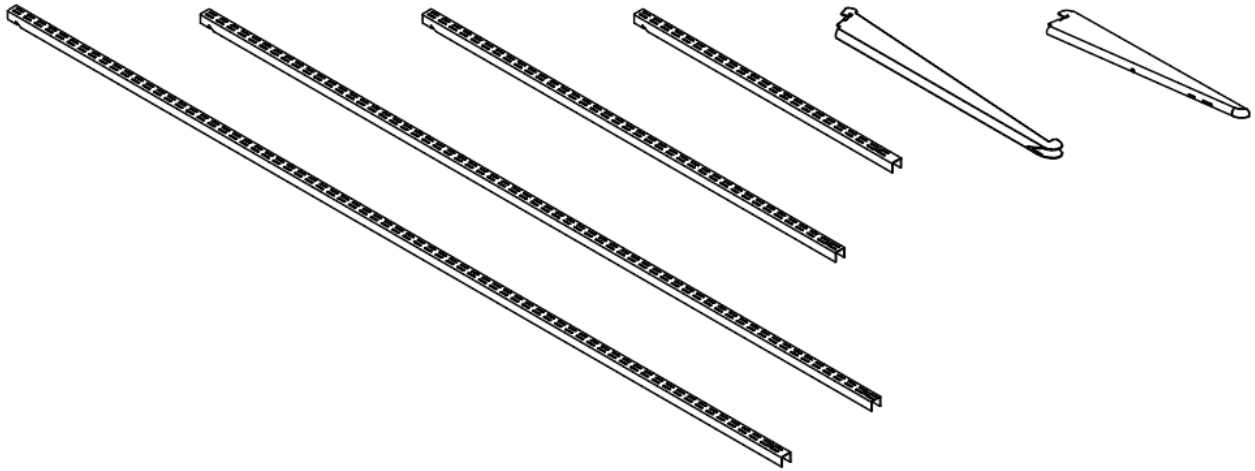
78" Standard

48" Standard

30" Standard

Shoe Bracket

14-1/2" Wood Shelf Bracket



12" Wood Shelf Bracket

12" Wire Shelf Bracket

12" Max Glide Wire Bracket

16" Wire Shelf Bracket



Description	Dimensions	Pack Qty	White Item #	Pack List	Each List	Nickel item #	Pack List	Each List
Standard Upright								
90" Standard Upright	90"	8	427083	\$ 314.39	\$ 39.30	427087	\$ 288.43	\$ 36.05
78" Standard Upright	78"	8	427084	\$ 253.33	\$ 31.67	427088	\$ 253.33	\$ 31.67
48" Standard Upright	48"	8	427085	\$ 161.77	\$ 20.22	427089	\$ 161.77	\$ 20.22
30" Standard Upright	30"	8	427086	\$ 100.73	\$ 12.59	427090	\$ 100.73	\$ 12.59
90" Standard Upright	90"	1	433076	\$ 47.75	\$ 47.75	433095	\$ 47.75	\$ 47.75
78" Standard Upright	78"	1	433081	\$ 41.75	\$ 41.75	433106	\$ 41.75	\$ 41.75
48" Standard Upright	48"	1	433086	\$ 26.00	\$ 26.00	433107	\$ 26.00	\$ 26.00
30" Standard Upright	30"	1	433091	\$ 16.75	\$ 16.75	433108	\$ 16.75	\$ 16.75

Brackets	Dimensions	Pack Qty	White Item #	Nickel Item #	Pack List	Each List
10 5/8" Wood Shelf Bracket	10.625"	10	427247	427105	\$ 58.00	\$ 5.80
12.5" Wood Shelf Bracket	12.5"	10	427248	427106	\$ 64.10	\$ 6.41
14.5" Angled Wood Shoe Bracket	14.5"	10	NA	427107	\$ 73.25	\$ 7.33
12" Wire Shelf Bracket	12"	10	427075	NA	\$ 72.65	\$ 7.27
12" Maxglide Bracket	12"	10	427249	NA	\$ 72.65	\$ 7.27
16" Wire Shelf Bracket	16"	10	427076	NA	\$ 103.77	\$ 10.38

12" & 14.5" DEEP SHELVES

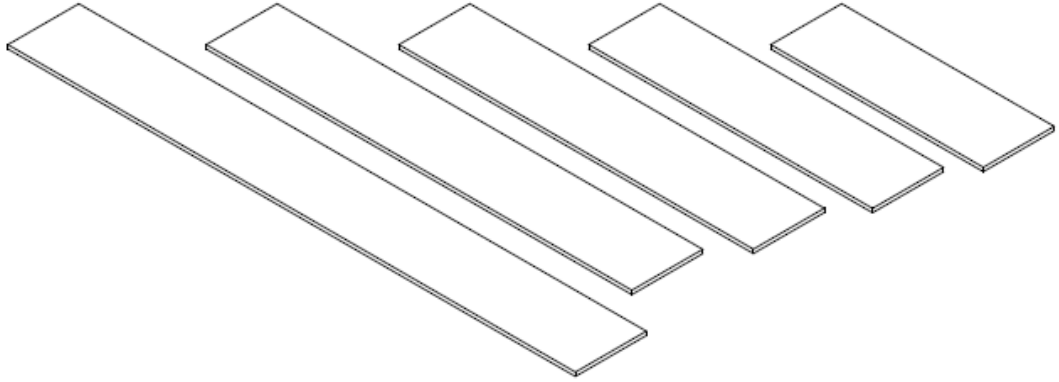
96" x 12" Shelf

72" x 12" Shelf

60" x 12" Shelf

48" x 12" Shelf

36" x 12" Shelf

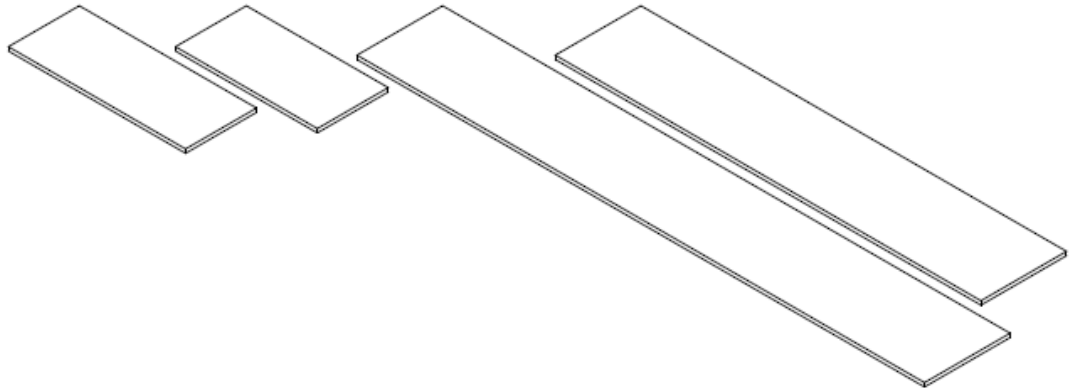


30" x 12" Shelf

24" x 12" Shelf

96" x 14-1/2" Shelf

72" x 14-1/2" Shelf



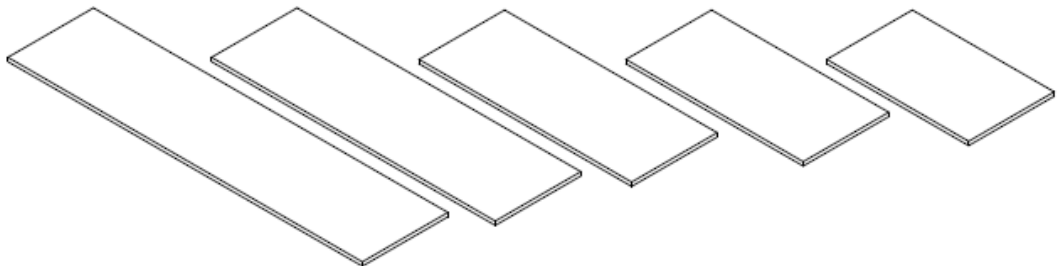
60" x 14-1/2" Shelf

48" x 14-1/2" Shelf

36" x 14-1/2" Shelf

30" x 14-1/2" Shelf

24" x 14-1/2" Shelf



12" & 14.5" DEEP SHELVES cont.

Description	Dimensions	Pack Qty	White Item #	Espresso Item #	Salt Oak Item #	Pack List	Each List
12" Deep Shelf							
24" Shelf	24" x 12" x .625"	4	425930	425986	425958	\$ 55.87	\$ 13.97
30" Shelf	30" x 12" x .625"	4	425929	425985	425957	\$ 66.16	\$ 16.54
36" Shelf	36" x 12" x .625"	4	425928	425984	425956	\$ 78.51	\$ 19.63
48" Shelf	48" x 12" x .625"	4	425927	425983	425955	\$ 95.56	\$ 23.89
60" Shelf	60" x 12" x .625"	2	425926	425982	425954	\$ 66.16	\$ 33.08
72" Shelf	72" x 12" x .625"	2	425925	425981	425953	\$ 77.92	\$ 38.96
96" Shelf	92" x 12" x .625"	2	425924	425980	425952	\$ 103.80	\$ 51.90

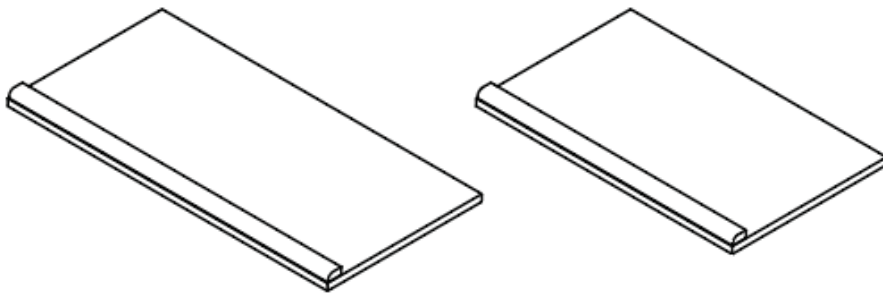
Description	Dimensions	Pack Qty	White Item #	Espresso Item #	Salt Oak Item #	Pack List	Each List
14.5" Deep Shelf							
24" Shelf	24" x 14.5" x .625"	4	425937	425993	425965	\$ 62.64	\$ 15.66
30" Shelf	30" x 14.5" x .625"	4	425936	425992	425964	\$ 73.51	\$ 18.38
36" Shelf	36" x 14.5" x .625"	4	425935	425991	425963	\$ 85.27	\$ 21.32
48" Shelf	48" x 14.5" x .625"	4	425934	425990	425962	\$ 105.84	\$ 26.46
60" Shelf	60" x 14.5" x .625"	2	425933	425989	425961	\$ 72.92	\$ 36.46
72" Shelf	72" x 14.5" x .625"	2	425932	425988	425960	\$ 83.80	\$ 41.90
96" Shelf	92" x 14.5" x .625"	2	425931	425987	425959	\$ 115.56	\$ 57.78

Description	Pack Qty	White Item #	Espresso Item #	Salt Oak Item #	Pack List	Each List
Edgebanding (For covering raw ends when cut)						
27' Roll of Adhesive 16mm Edgebanding	1	429617	429616	429618	\$ 67.63	\$ 67.63

SHOE SHELVES

30" Shoe Shelf

24" Shoe Shelf



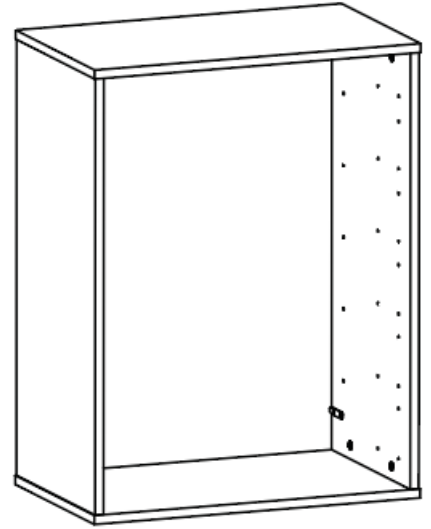
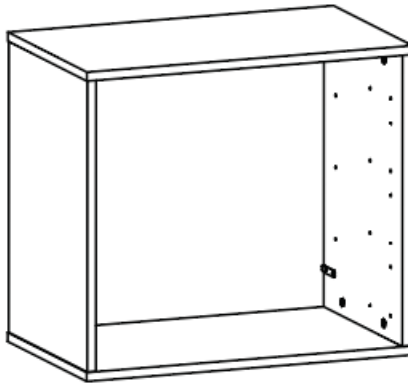
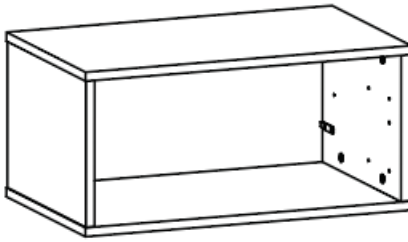
Description	Dimensions	Pack Qty	White Item #	Espresso Item #	Salt Oak Item #	Pack List	Each List
Shoe Shelf							
24" Shoe Shelf	24" x 14.5" x .625"	4	425922	425978	425950	\$ 92.04	\$ 23.01
30" Shoe Shelf	30" x 14.5" x .625"	4	425923	425979	425951	\$ 105.84	\$ 26.46

24" CABINET

24" W Small Cabinet

24" W Medium Cabinet

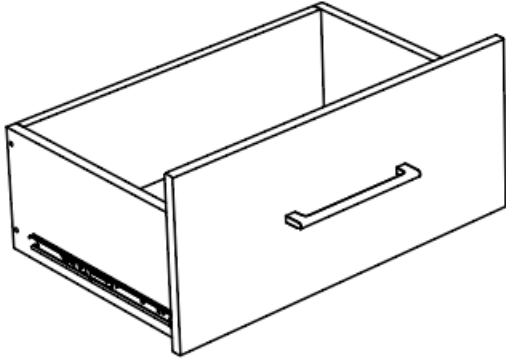
24" W Large Cabinet



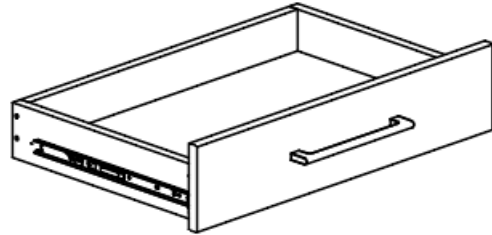
Description	Dimensions	Pack Qty	White Item #	Espresso Item #	Salt Oak Item #	Pack List	Each List
24" Cabinet							
24"W Small Cabinet	24" x 14.5" x 11.25"	1	425940	426001	425968	\$ 63.22	\$ 63.22
24"W Medium Cabinet	24" x 14.5" x 21.25"	1	425939	426000	425967	\$ 73.51	\$ 73.51
24"W Large Cabinet	24" x 14.5" x 31.25"	1	425938	425999	425966	\$ 84.68	\$ 84.68
Optional:							
24" X 10" Tall Drawer	24" x 14.5" x 10"	1	425941	426002	425969	\$ 92.62	\$ 92.62
24" X 5" Short Drawer	24" x 14.5" x 5"	1	425942	426004	425970	\$ 82.32	\$ 82.32
22.625" X 14.5" Adjustable Shelf	24" x 14.5" x .625"	3	425948	426010	425976	\$ 55.28	\$ 18.43

24" DRAWERS & ADJUSTABLE CABINET SHELVES

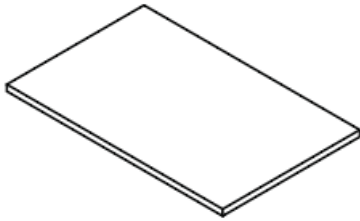
24" W x 10" H Drawer



24" W x 5" H Drawer



24" Adjustable Cabinet Shelf



Jewelry Tray Insert for 24" Drawer



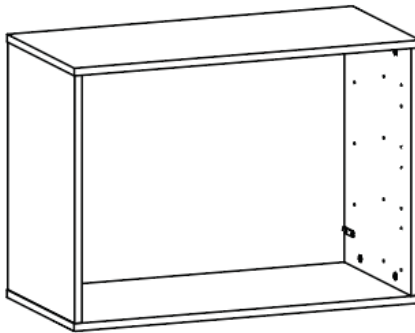
Description	Dimensions	Pack Qty	White Item #	Espresso Item #	Salt Oak Item #	Pack List	Each List
24" X 10" Tall Drawer	24" x 14.5" x 10"	1	425941	426002	425969	\$ 92.62	\$ 92.62
24" X 5" Short Drawer	24" x 14.5" x 5"	1	425942	426004	425970	\$ 82.32	\$ 82.32
22.625" X 14.5" Adjustable Shelf	24" x 14.5" x .625"	3	425948	426010	425976	\$ 55.28	\$ 18.43
Jewelry Tray Insert for 24" Drawer	20.25"x 12.375"x 2"	1	429518	429518	429518	\$ 141.12	\$ 141.12

30" CABINET

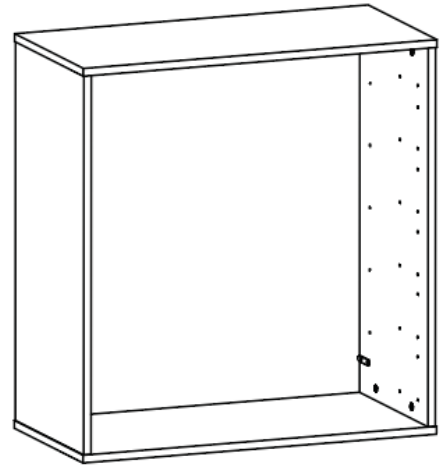
30" W Small Cabinet



30" W Medium Cabinet



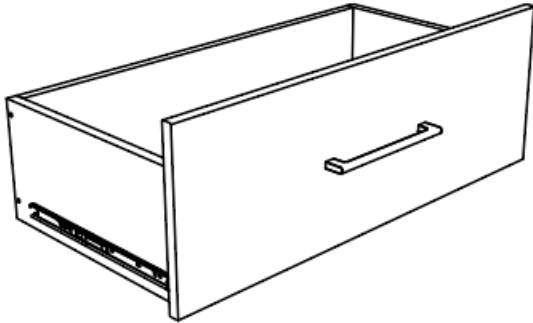
30" W Large Cabinet



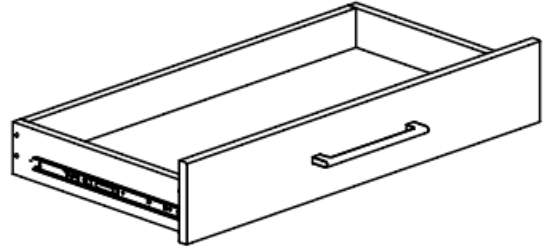
Description	Dimensions	Pack Qty	White Item #	Espresso Item #	Salt Oak Item #	Pack List	Each List
30" Cabinet							
30"W Small Cabinet	30" x 14.5" x 11.25"	1	425945	426007	425973	\$ 72.04	\$ 72.04
30"W Medium Cabinet	30" x 14.5" x 21.25"	1	425944	426006	425972	\$ 81.74	\$ 81.74
30"W Large Cabinet	30" x 14.5" x 31.25"	1	425943	426005	425971	\$ 88.20	\$ 88.20
Optional:							
30" X 10" Tall Drawer	30" x 14.5" x 10"	1	425946	426008	425974	\$ 101.44	\$ 101.44
30" X 5" Short Drawer	30" x 14.5" x 5"	1	425947	426009	425975	\$ 89.68	\$ 89.68
28.625" X 14.5" Adjustable Shelf	30" x 14.5" x .625"	3	425949	426011	425977	\$ 66.16	\$ 22.05

30" DRAWERS & ADJUSTABLE CABINET SHELVES

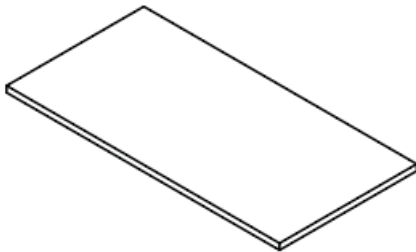
30" W x 10" H Drawer



30" W x 5" H Drawer



30" Adjustable Cabinet Shelf



Jewelry Tray Insert for 30" Drawer



Description	Dimensions	Pack Qty	White Item #	Espresso Item #	Salt Oak Item #	Pack List	Each List
30" X 10" Tall Drawer	30" x 14.5" x 10"	1	425946	426008	425974	\$ 101.44	\$ 101.44
30" X 5" Short Drawer	30" x 14.5" x 5"	1	425947	426009	425975	\$ 89.68	\$ 89.68
28.625" X 14.5" Adjustable Shelf	30" x 14.5" x .625"	3	425949	426011	425977	\$ 66.16	\$ 22.05
Jewelry Tray Insert for 30" Drawer	26.25"x 12.375"x 2"	1	429520	429520	429520	\$ 174.05	\$ 174.05

OVAL ROD

97" Oval Rod

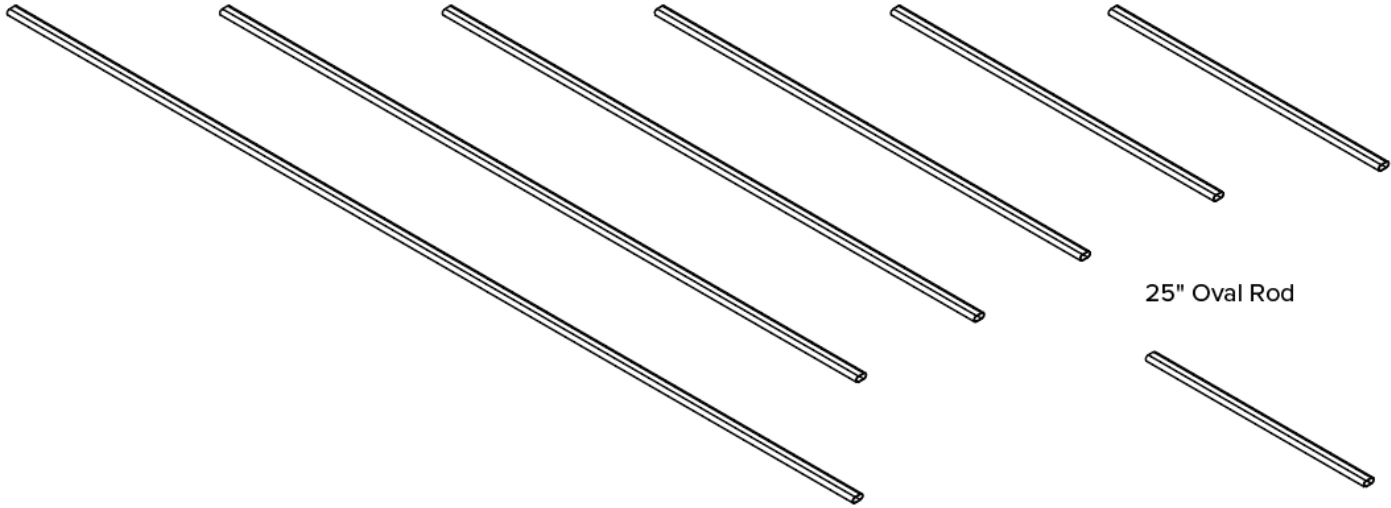
73" Oval Rod

61" Oval Rod

49" Oval Rod

37" Oval Rod

31" Oval Rod



25" Oval Rod

Description	Dimensions	Pack Qty	White Item #	Nickel item #	Pack List	Each List
Oval Rod						
96" Oval Rod	96"	10	NA	427091	\$ 156.58	\$ 15.66
72" Oval Rod	72"	10	NA	427092	\$ 123.00	\$ 12.30
60" Oval Rod	60"	10	NA	427093	\$ 104.69	\$ 10.47
48" Oval Rod	48"	10	NA	427094	\$ 80.89	\$ 8.09
36" Oval Rod	36"	10	NA	427095	\$ 61.96	\$ 6.20
30" Oval Rod	30"	10	NA	427096	\$ 55.86	\$ 5.59
24" Oval Rod	24"	10	NA	427097	\$ 45.79	\$ 4.58
96" Oval Rod	96"	1	NA	433109	\$ 17.75	\$ 17.75
72" Oval Rod	72"	1	NA	433110	\$ 14.00	\$ 14.00
60" Oval Rod	60"	1	NA	433111	\$ 12.00	\$ 12.00
48" Oval Rod	48"	1	NA	433112	\$ 9.50	\$ 9.50
36" Oval Rod	36"	1	NA	433113	\$ 8.25	\$ 8.25
30" Oval Rod	30"	1	NA	433114	\$ 6.00	\$ 6.00
24" Oval Rod	24"	1	NA	433115	\$ 5.50	\$ 5.50

Oval Closet Rods only available in Nickel

HARDWARE

Wood Shelf Attachment Extrusion



Rod End Cup



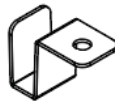
Standard Support Bracket Kit



Drywall Anchor



Wood Shelf Clip



Touch up Paint



Rod Holder



#10 x 3" Flat Head Screw



#6 x 2" Flat Head Screw



#8 x 9/16" Wafer Head Screw

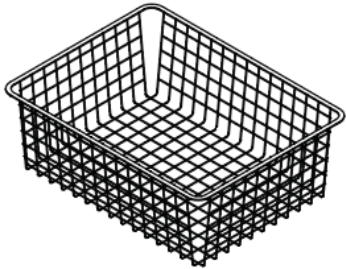


Description	Pack Qty	White Item #	Nickel Item #	Clear Item #	Pack List	Each List
Hardware						
Wood Shelf Attachment Extrusion	50	NA	NA	427104	\$ 33.24	\$ 0.66
Wood Shelf Clip SB	50	427301	427098	NA	\$ 52.81	\$ 1.06
Rod Holder	10	NA	427102	NA	\$ 39.69	\$ 3.97
Rod End Cap	10	NA	427103	NA	\$ 14.65	\$ 1.47
Heavy Duty Drywall Anchor	100	427861	NA	NA	\$ 49.99	\$ 0.50
3" Screw #10 (for use with Drywall Anchor)	250	427883	427884	NA	\$ 94.62	\$ 0.38
2" Screw #6 (Secures Shelf Bracket to Shelf)	250	NA	427839	NA	\$ 31.44	\$ 0.13
Standard Support Bracket Kit	20	427300	427299	NA	\$ 49.76	\$ 2.49
#8 x 9/16 Wafer Head Screw	250	422645	427841	NA	\$ 19.84	\$ 0.08
Touch Up Paint	1	427715	427716	NA	\$ 25.00	\$ 25.00

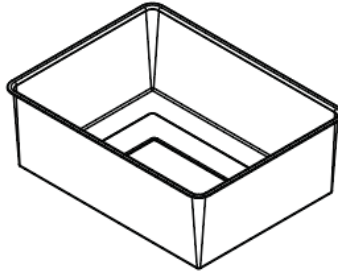
Closet Rod hardware only available in Nickel

BASKETS

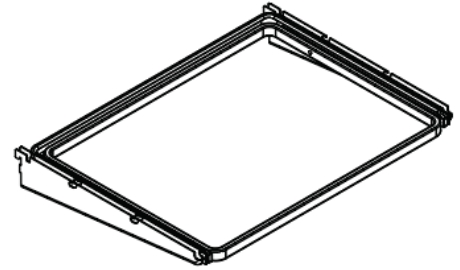
Open Basket



Closed Basket



24" Basket Track Set

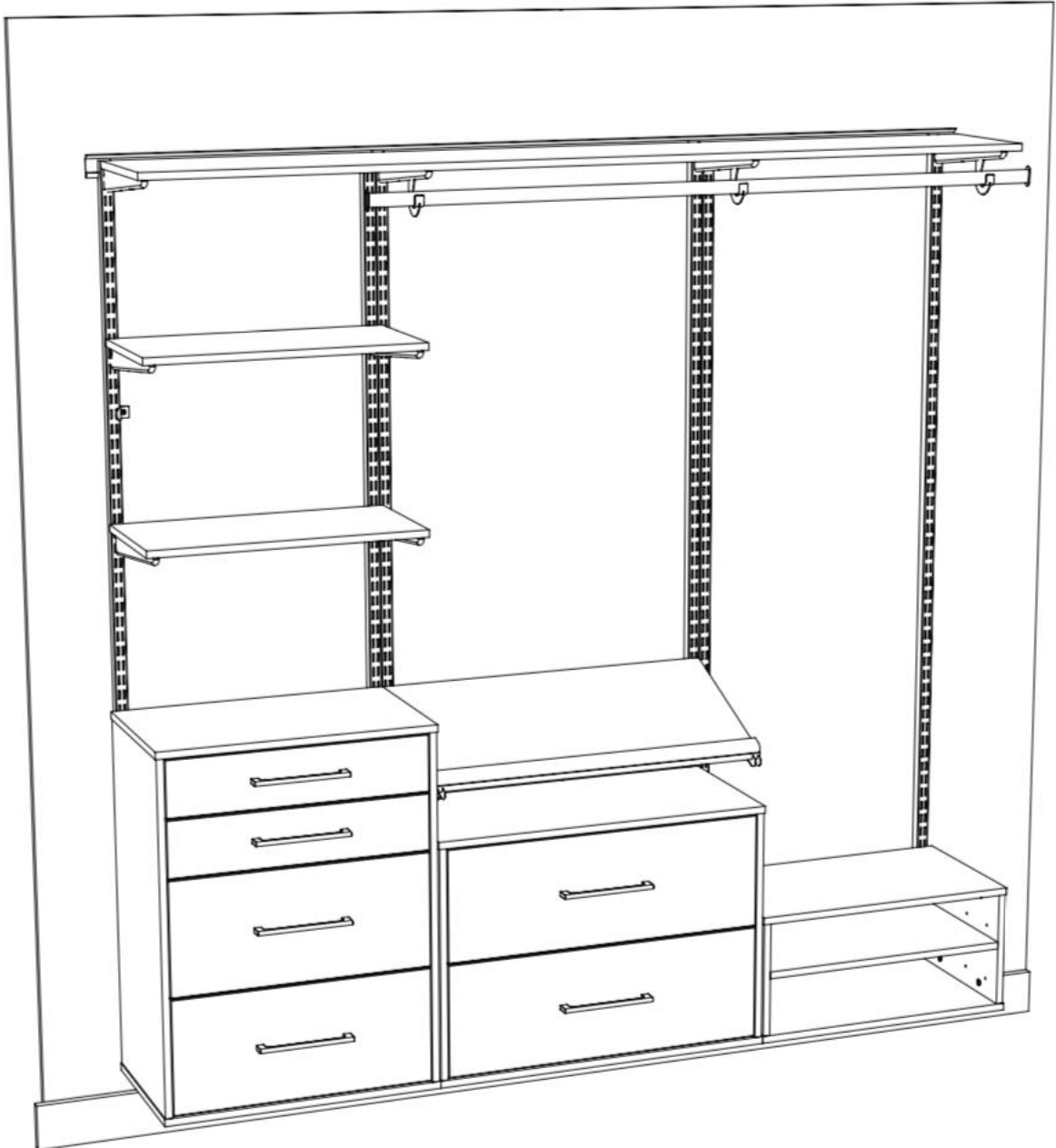


Perforated Mesh Metal Basket

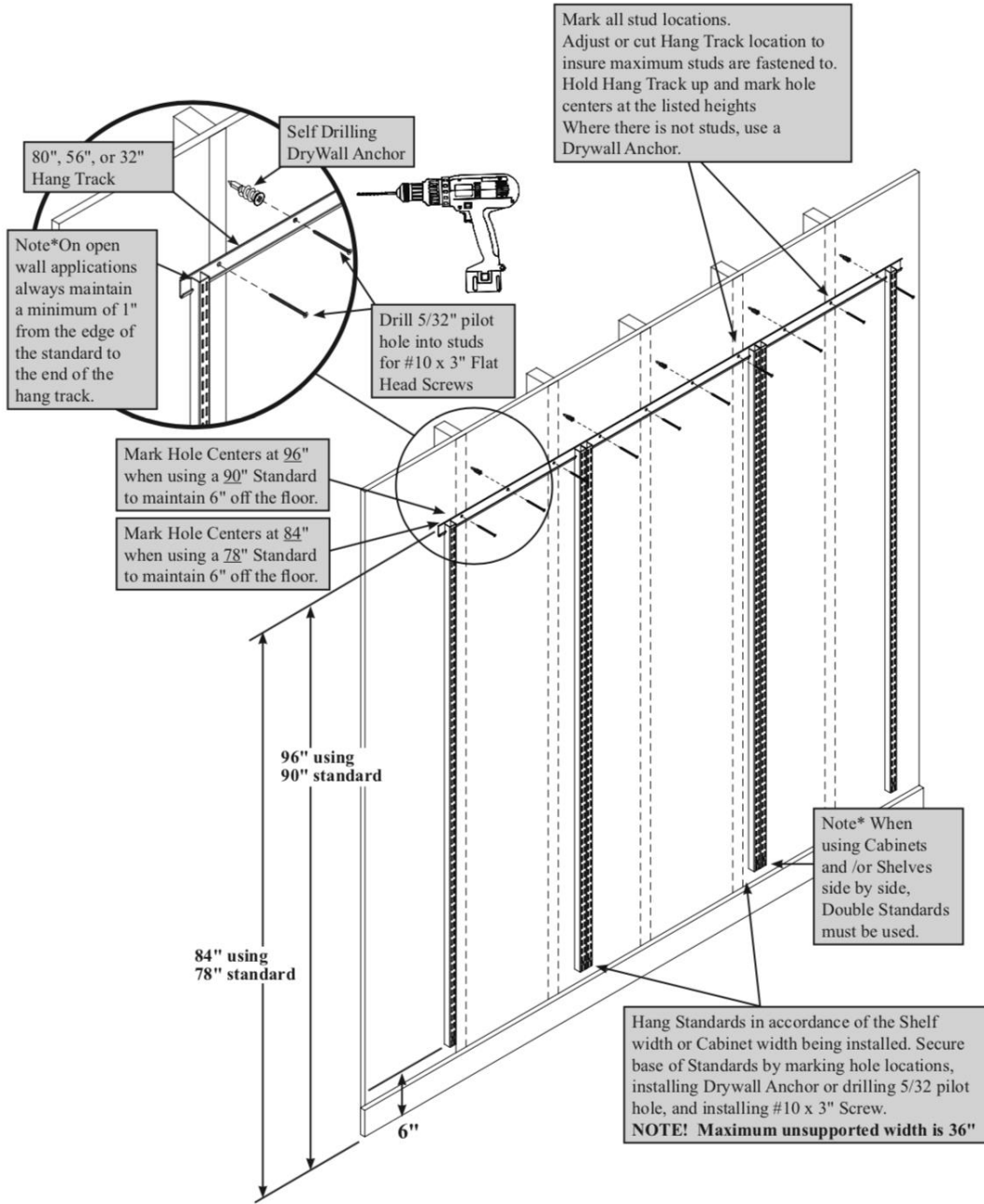
Required with both Basket Types.
Attaches Basket to Uprights/Standards.

Description	Dimensions	Pack Qty	White Item #	Nickel item #	Pack List	Each List
Baskets						
24" Basket Track Set	24"	5	NA	427099	\$ 495.35	\$ 99.07
24" Open Basket	24"	5	NA	427100	\$ 136.73	\$ 27.35
24" Closed Basket	24"	5	NA	427101	\$ 211.52	\$ 42.30
24" Basket Track Set	24"	1	NA	433116	\$ 100.00	\$ 100.00
24" Open Basket	24"	1	NA	433117	\$ 31.00	\$ 31.00
24" Closed Basket	24"	1	NA	433118	\$ 48.00	\$ 48.00

INSTALLATION

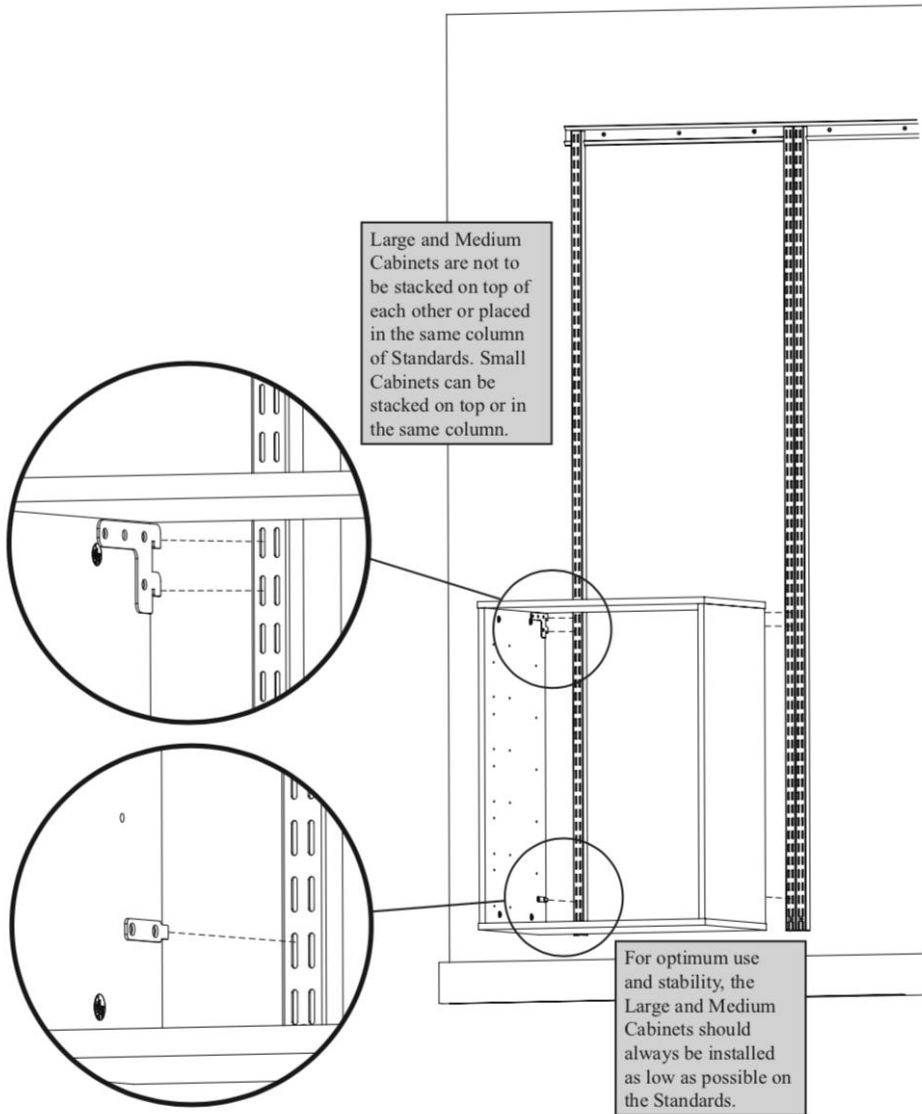


INSTALLATION



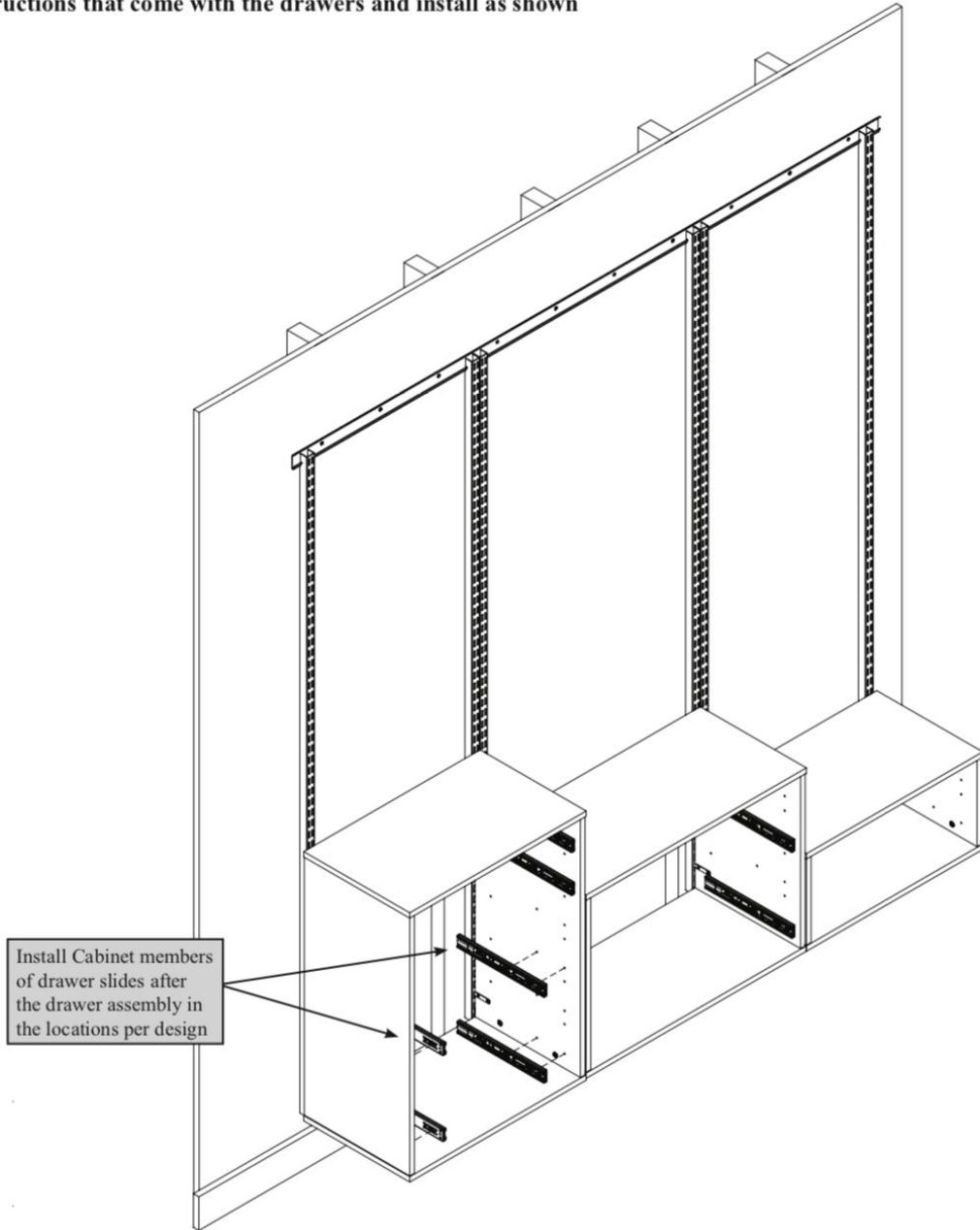
INSTALLATION

If the design layout incorporates Cabinet (s), assemble the Cabinet (s) now using the instructions that come with the Cabinet.



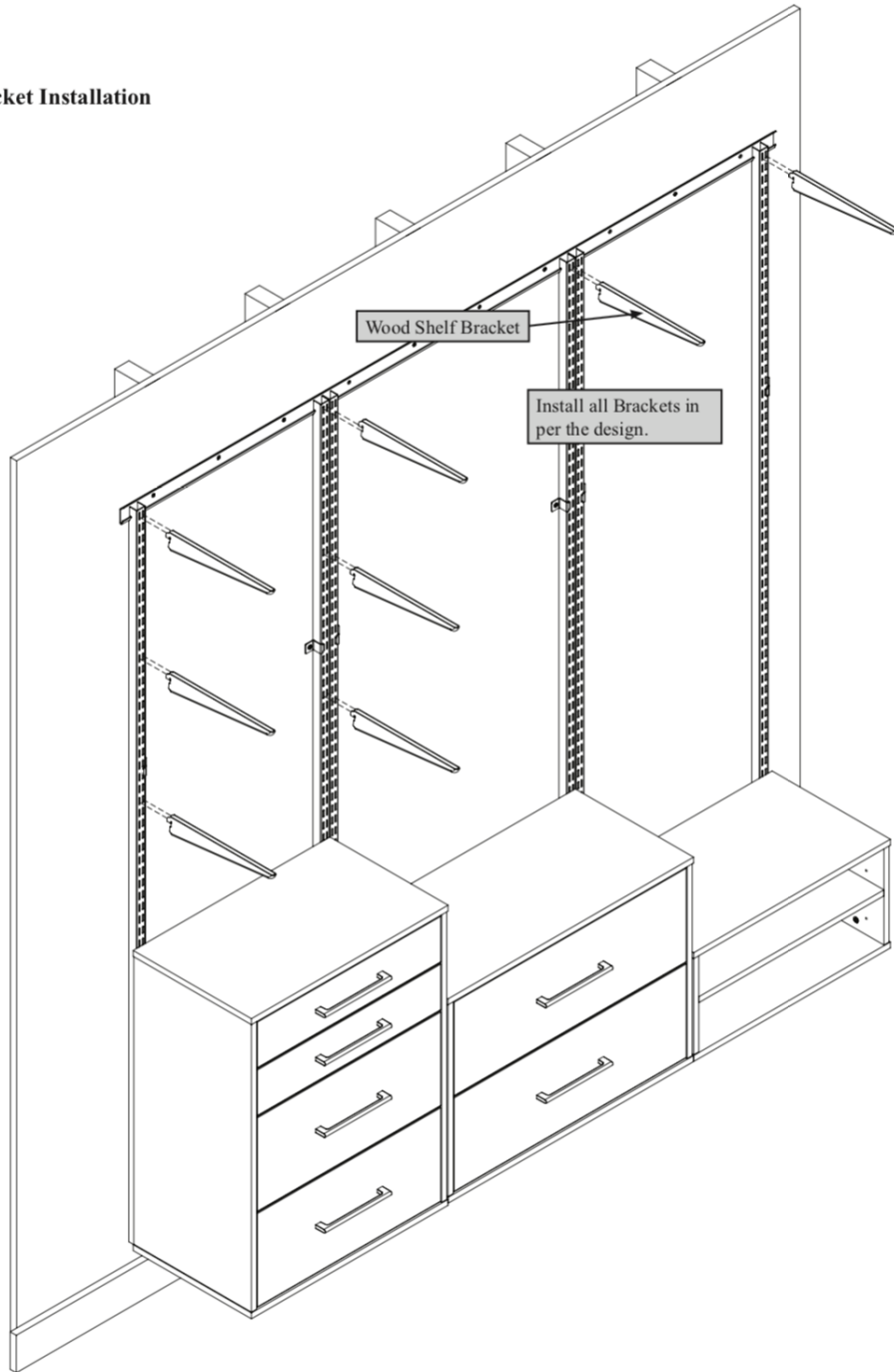
INSTALLATION

If the design layout incorporates Cabinets with drawers and/or adjustable shelving, assemble the drawers now with the instructions that come with the drawers and install as shown



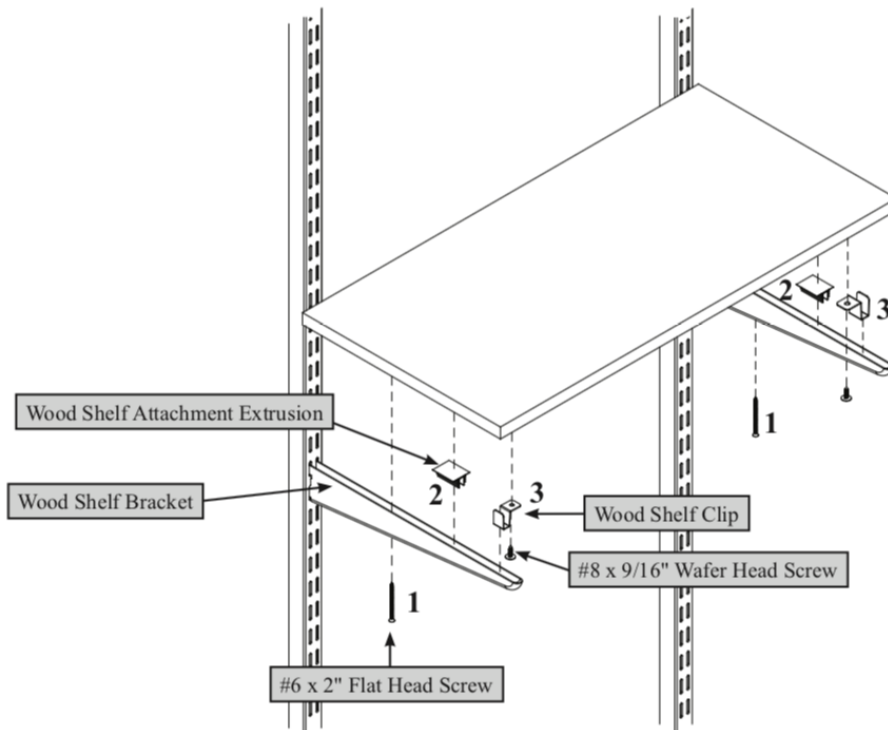
INSTALLATION

Shelf bracket Installation



INSTALLATION

Shelf Installation

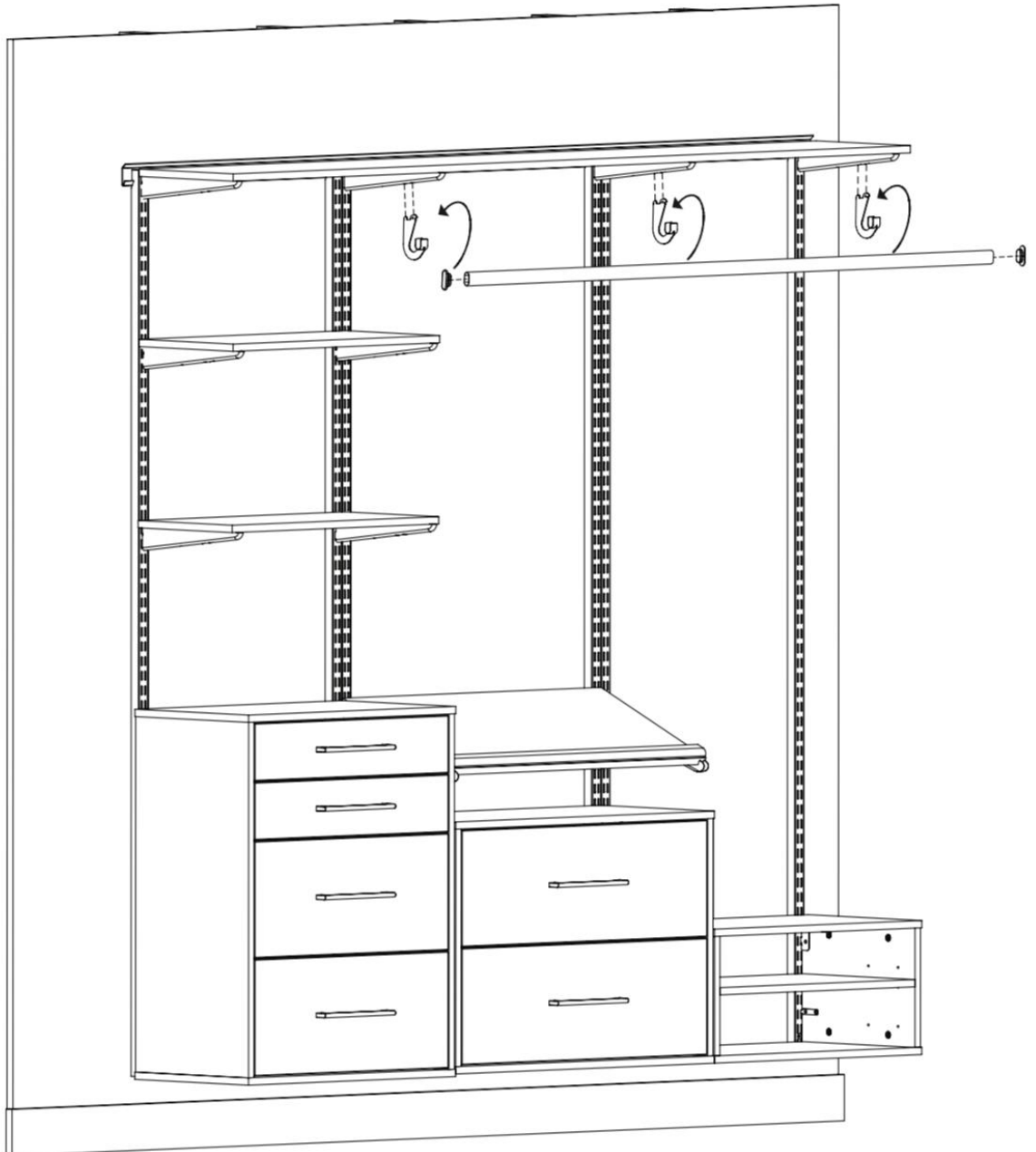


There are 3 ways to fasten a Wood Shelf to a Wood Shelf bracket. #1 is the preferred method with additional security of the Shelf by adding #2 or #3 options.

1. Turn a #6 x 2" Flat head screw through the center of the Wood Shelf Bracket and into the Woodshelf.
2. Push a Wood Shelf Attachment Extrusion into the groove of the Wood Shelf Bracket. Peel the paper backing off of the Extrusion. Stick the Wood Shelf to the Extrusion.
3. Place the Wood Shelf Clip into the groove of the Wood Shelf Bracket. Then fasten the Wood Shelf Clip to the Wood Shelf with a #8 x 9/16 Wafer Head Screw.

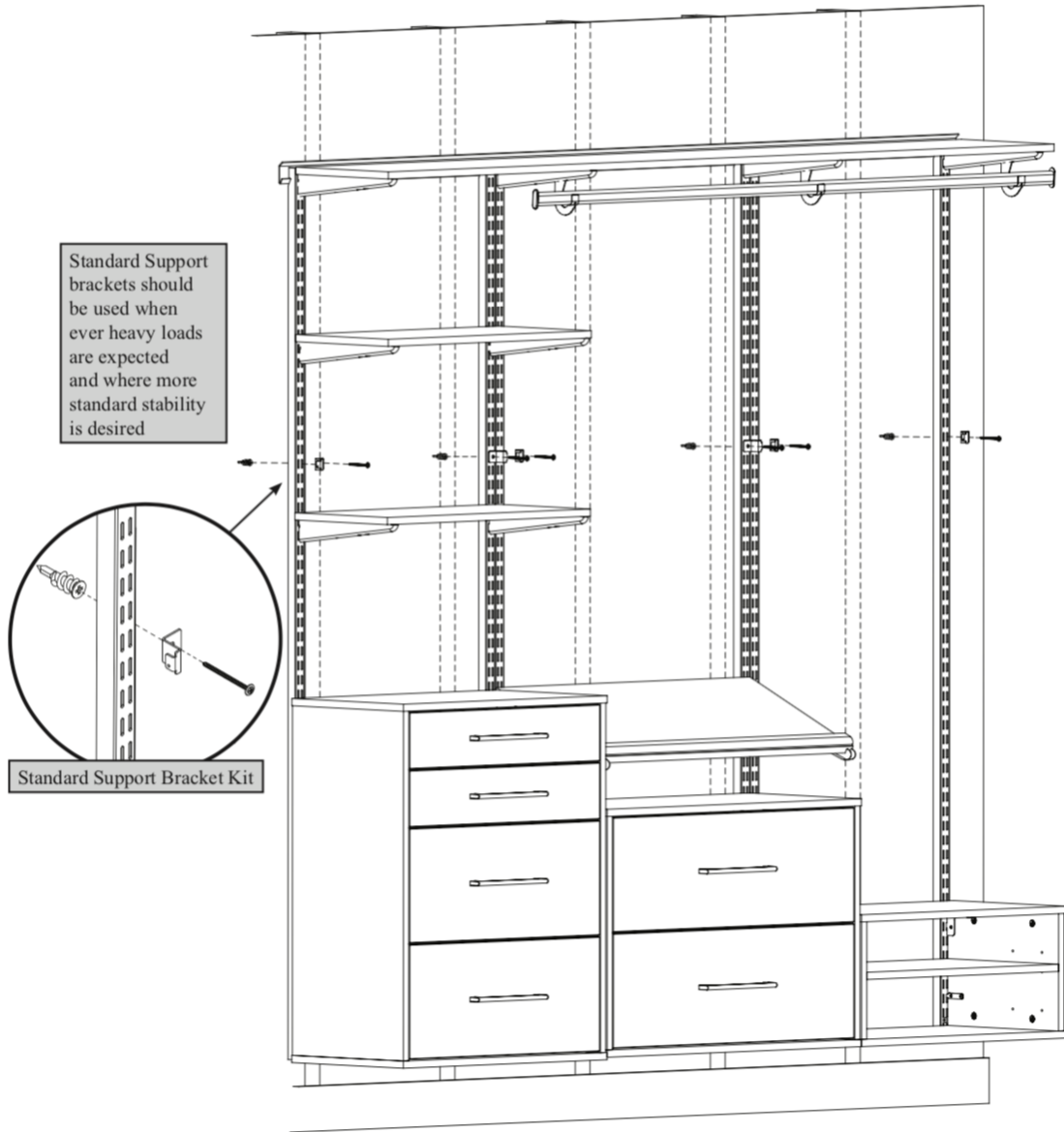
INSTALLATION

Rod, Rod Holder and End Cap Installation option per design

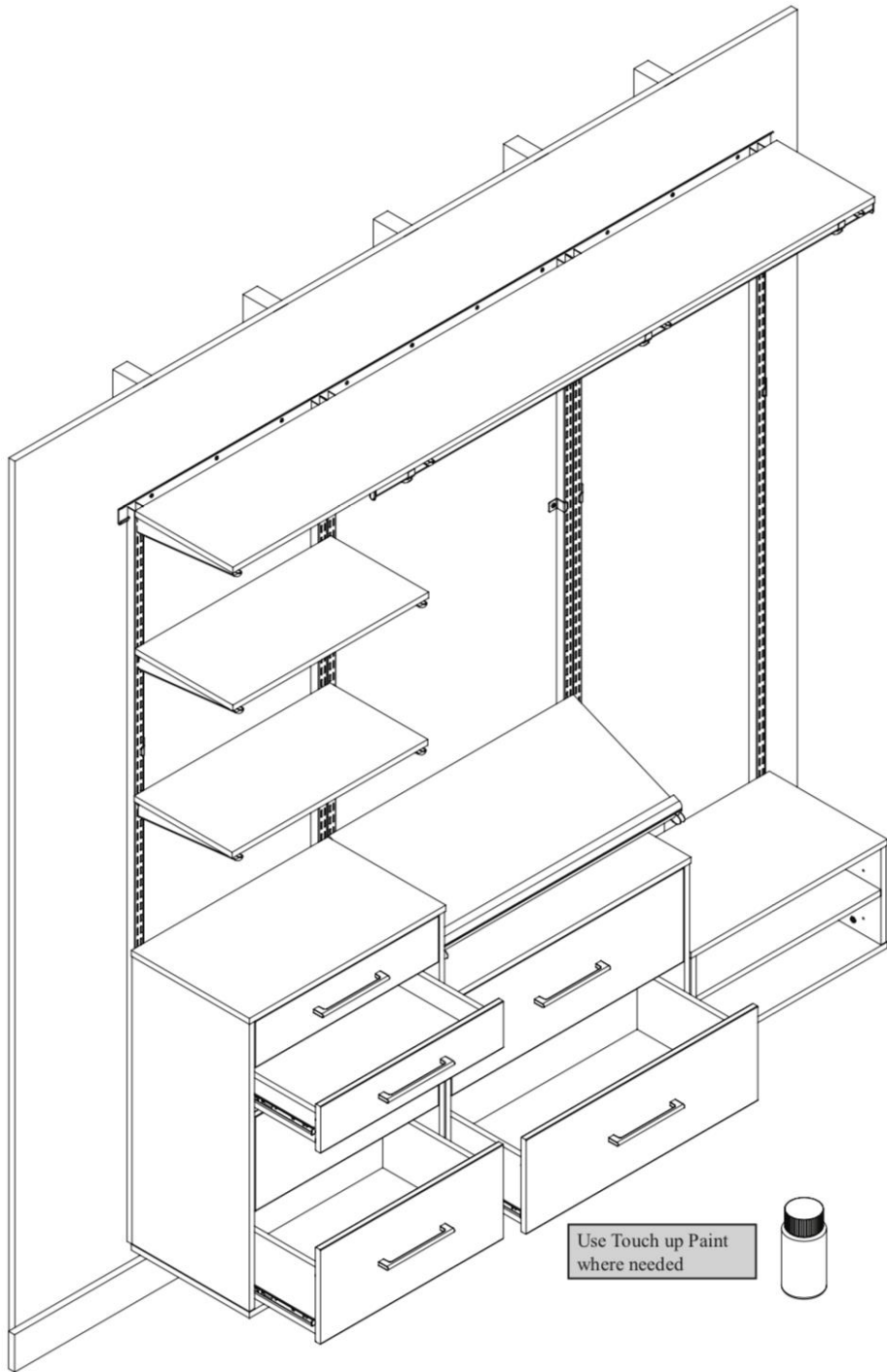


INSTALLATION

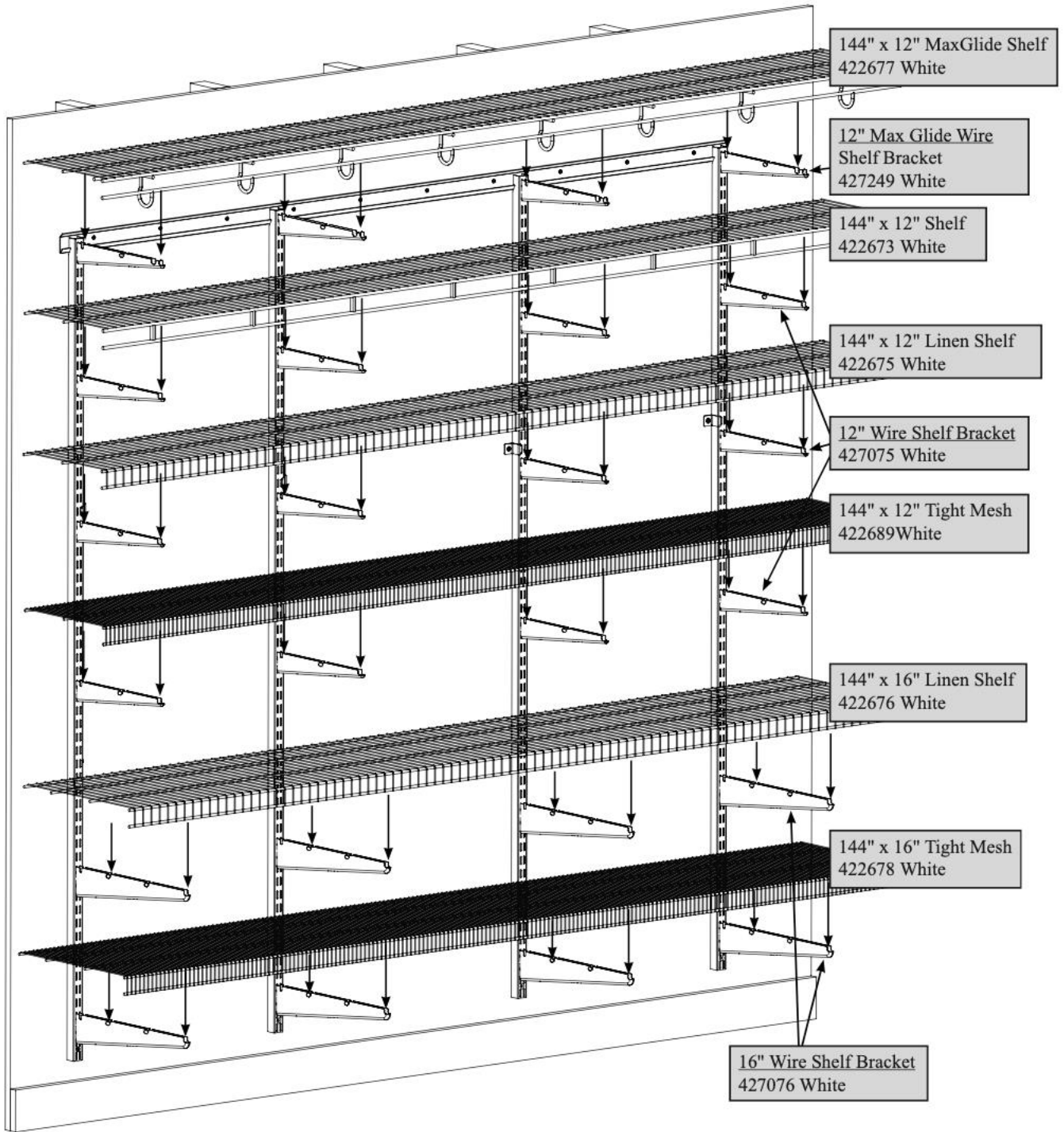
Standard Support Bracket Installation



INSTALLATION



INSTALLATION- WIRE SHELVING



WARRANTY & WARNINGS

WOODTRAC® CLOSET PRODUCTS LIMITED WARRANTY

WoodTrac® by Sauder provides limited lifetime warranty coverage on WoodTrac® Closet Products (the "Products") to the original first use retail consumer ("Consumer") as set forth in this limited warranty statement. This limited warranty gives you specific legal rights, and you may also have other rights which vary from state to state.

Limited Lifetime Warranty Coverage: WoodTrac® warrants that the Products will be free from defects in material and workmanship under conditions of normal, residential use, for the lifetime of the Products. This limited warranty extends only to the original, first-use retail Consumer, and is not transferable.

Limitations on Warranty Coverage: WoodTrac's® Limited Lifetime Warranty (described above) is the only warranty coverage provided by WoodTrac® for the Products, and is in lieu of all other warranties. Under the laws of certain states, there may be no implied warranties from WoodTrac®, and ALL IMPLIED WARRANTIES, INCLUDING ANY IMPLIED WARRANTY OF MERCHANTABILITY OR FITNESS FOR A PARTICULAR PURPOSE ARE DISCLAIMED AND EXCLUDED TO THE FULLEST EXTENT ALLOWED BY LAW.

Exclusions from Coverage: This limited warranty does not cover defects arising from (1) the improper installation or use of the Products; (2) abuse or neglect; (3) any commercial, rental or non-residential use of the Products (including the installation and use of the Products in a commercial or rental structure); or (4) normal wear and tear.

Exclusive Remedy: WoodTrac® will (at its option) repair or replace any defective Products (or components) at no charge, subject to confirmation of the defect and proof of purchase, as the sole and exclusive remedy under this limited warranty. This limited warranty does not cover costs for installation, returning any defective Products to WoodTrac®, for removal or other labor costs in connection with the repair or replacement of the Products, all of which shall be the responsibility of the Consumer. WoodTrac's® liability under this limited warranty shall not exceed the purchase price of the Products. WoodTrac® shall have NO LIABILITY FOR ANY INCIDENTAL OR CONSEQUENTIAL DAMAGES OF ANY KIND, and all such claims and damages are DISCLAIMED AND EXCLUDED FROM THIS LIMITED WARRANTY. You must notify WoodTrac®, in writing, within 90 days after discovering any defect in order to receive limited warranty coverage.

Some states do not allow limitations on how long an implied warranty lasts, or the exclusion or limitation of incidental or consequential damages, so the above limitations may not apply to you.

To Obtain Warranty Service or Information: For warranty inquiries or claims, contact WoodTrac® at 1-855-854-7465, 502 Middle Street, Archbold, OH (USA) 43502, woodtrac@sauder.com. Return of any defective Product may be required by WoodTrac®, or we may elect to examine the product at its location. If we ask you to ship any Products to us, we will issue you a return authorization number and provide return instructions. For returned Products to qualify for limited warranty coverage, they must be returned in the original or equivalent packaging, in accordance with the shipping instructions you receive from us, and must prominently display the return authorization number on the return package.

WARNING

Please use your furniture correctly and safely. Improper use can cause safety hazards, or damage to your furniture or household items. *Carefully read the following chart.*

Look out for:	What can happen:	How to avoid the problem:
<ul style="list-style-type: none"> Loose or unstable closet components. Tall closet component structures. Closet component structures that are over five feet tall and placed in an open area or a walk-in closet. 	<ul style="list-style-type: none"> Risk of injury Closet components that are not properly connected can easily slide against each other and cause the structure to be unstable and tip over. A tall closet structure can tip unless it is properly secured. 	<ul style="list-style-type: none"> Closet components must be securely attached to each other from side to side, and top to bottom. Secure the closet structure to a wall stud whenever possible. If you cannot use a wall stud, use the supplied wall anchors into your drywall. <p>(If attaching the product to a wall made of concrete, plaster, or other material, purchase and use the appropriate mounting hardware. The attachment hardware must be rated to provide a minimum of 50 pounds of pull strength.)</p>
<ul style="list-style-type: none"> Overloaded drawers and shelves. 	<ul style="list-style-type: none"> Risk of injury. Top-heavy furniture can tip over. Overloaded drawers or shelves can break. 	<ul style="list-style-type: none"> Never exceed the weight limits shown in the instructions. Work from bottom to top when loading shelves and drawers. Place the heavier items on the lower shelves or in lower drawers.
<ul style="list-style-type: none"> Improper use of furniture to support TVs. Setting TVs on furniture items not intended to support them is hazardous. 	<ul style="list-style-type: none"> Risk of injury. TVs can be very heavy. Plus the weight and location of the picture tube tends to make TVs unbalanced and prone to tipping forward. 	<ul style="list-style-type: none"> This product is not designed to support a television.

PRODUCT PERFORMANCE

LOAD SPECIFICATIONS

Product	Anchoring Method	Recommended Load Limits
SpaceTrac	Wooden studs	50 lbs per foot (36" Span between brackets) 75 lbs per foot (30" Span between brackets) 100 lbs per foot (24" Span between brackets)

SURFACE PERFORMANCE

WoodTrac Closets wood components are made with silicone coated high definition micropapers laminated over either MDF or Particleboard depending on the part. Performance results below.



Standard Plus/ Wrapping Plus Grade Paper-Engineering Specification

SSN – 1220 r.1

AESTHETICS		
Attribute	Test Method	Specification/Assessment
Color (Evaluated using the D65 Lighting)	Visual Compliance to the Color Standard – ASTM D-1729-96	Pass / Fail
Coating Smoothness	Visual Compliance to the Color Standard	Pass / Fail
Gloss	Gardner Micro Gloss - @ 60° (MD) – ASTM D-523-99	±15% of standard
Fidelity/Registration	Visual Compliance to the Color Standard	Pass / Fail
PERFORMANCE		
Attribute	Test Method	Specification/Assessment
Wear Resistance	For paper, correlated to coating weight	=> 3 grams/m ²
	For laminates, CPA WR-01-2009	>250 cycles
Scratch Resistance	For paper, correlated to coating weight	=> 3 grams/m ²
	For laminates, Hoffman-Paint & Coating Testing Methods p.557 ASTM - D 5178 (Breaking Point)	=> 100 grams
MEK Resistance	ASTM - D 4752	=> 50 Dble Rubs
Boiling Water Resistance	Fed. Spec. AA-11-001895B	No Effect after 1 hour
Color Stability at Elevated Temperature	For paper, Sauder LP074; Color Stability Standard Method	Delta <.5 or Visual Compliance to Color Standard
Water Resistance	ANSI / NEMA LD 3-2005 - High Pressure Decorative Laminates Section 3.4 Distilled Water	No Effect after 4 hours
Stain Resistance	ANSI / NEMA LD 3-2005 - High Pressure Decorative Laminates Section 3.4; cooking oil, coffee, tea, mustard, catsup	No Effect after 4 hours
Tape Resistance	ASTM – D 3330 or correlated method	100% Tape Adhesion Failure (Based on 10day tape pull)
Coating / Ink Adhesion	ASTM – D 3359	0% Failure
Coefficient of Friction	ASTM – D 1894	.125 Kinetic (min)

PRODUCT COMPOSITION & CARE

PRODUCT COMPOSITION

Our SpaceTrac wood shelving is made of 5/8" furniture-grade particleboard with a high-definition micro paper laminate. The high heat and pressure used in manufacturing result in a very strong, environmentally-friendly product. Steel components are made from 1.2 to 2.0 mm thick AISI 1008 Carbon Steel.

Our wood products are made of over 80% recycled products. All wood panels used at our production facility are "Environmentally Preferred Product" (EPP) by the Composite Panel Association.

PRODUCT CARE

While laminate products are durable, like any wood product they are not water resistant. We recommend quickly wiping any spilled liquid to prevent damage.

To clean we recommend light dusting or wiping the surface with a wax-based polish (Pledge or Endust, for example) and a dry cloth. Spray should be applied to cloth and not directly to furniture. Never use any type of abrasive cleaner or soap detergent on laminate surfaces.

